

TELESCOPIC VANGS

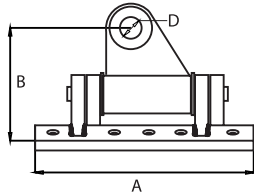
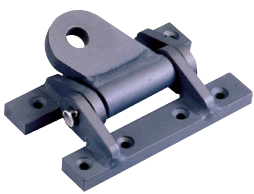


Blocks included, rope not included

Part No.	Internal Ratio	Boat Length (ft)	A (mm)	B (mm)	C (mm)	D (mm)	Sail Area (m ²)	Weight (g)	SWL (kg)
HT91342	2:1	24-32	1340	1140	200	10	25	2.4	150
HT91330	3:1	29-37	1800	1550	150	13	35	6	300
HT91334	4:1	38-44	2150	1900	250	16	45	7	450
HT91338	5:1	45-55	2350	2150	350	16	60	12	450

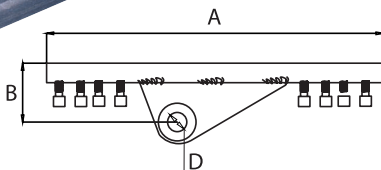
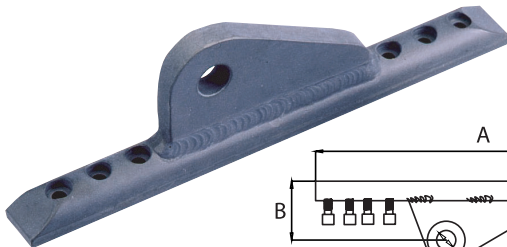
TELESCOPIC VANGS FITTINGS

VANG MAST FITTINGS



Part No.	Description	A (mm)	B (mm)	Dia (mm)	Fixing size
HT91343	Mast fitting for HT91330 & HT91342	110	50	10	M6 x 20
HT91332	Mast fitting for HT91330 & HT91342	138	65	13	M6 x 20
HT91336	Mast fitting for HT91334	148	70	16	M6 x 20
HT91340	Mast fitting for HT91338	173	90	16	M6 x 20

VANG BOOM FITTINGS



Part No.	Description	A (mm)	B (mm)	Fixing size
HT91344	Boom fitting for HT91342	160	67	M6 x 15
HT91333	Boom fitting for HT91330	210	80	M6 x 15
HT91337	Boom fitting for HT91334	250	97	M6 x 15
HT91341	Boom fitting for HT91338	320	123	M6 x 15



FURLERS SYSTEMS



SAIL TRIM



HT91189.10
Swivel Only

HT91189
Drum only

HT4904LZ

Part No.	Description	SWL (kg)	Break Load (kg)	Weight (g)
HT91189.10	Dinghy Top Swivel	250	500	136
HT4904LZ	Dinghy Integral Bow/Chute Furler	400	800	212
HT91189	Dinghy Furler	250	500	110

PRO-FEEDER



HT62483115

The Pro-Feeder is made of 316 stainless steel and like other similar products, has a catch and a hinge that means it can be opened easily with a quick positive tug when required. It has rolling balls to reduce friction and aid in the smooth running of hoists and drops.

This product is designed with real time racing in mind where a cluster disaster can cost the race – if the luff is in trouble the pull piston action requires a simple strong tug – the piston is out of the way of the luff and therefore easier to open than other feeders. The hinge on this pro feeder is offset from the centre line – this mean the bowman can lash it to or around the forestay.

WIND INDICATORS

WIND INDICATORS



HT.167



HT.168



HT.169



HT4066



HT5166

Now available to order as single colours

Description	Part No.	Colours	Flag Size (mm)	Shaft Length (mm)	Weight (g)
10 Racing Pro-Flag	HT.167ASS*10	Assorted	110 x 120	410	30
10 Racing Short Shaft Pro-Flag	HT.168ASS*10	Assorted	110 x 120	270	26
10 Cruising Pro-Flag	HT.169ASS*10	Assorted	170 x 120	410	30
Burgee Clip for mast	HT4066	-	-	-	-
Solid mast front mount Wind Vane for Oppy, Laser	HT5166	Orange	-	-	-
Pennant wind vane	HPN300	Red			
Arrow wind vane	HNP301	Red			

SAIL TRIM

WIND INDICATORS

WINTEC



- **Strong & sturdy**
Framework in hard anodised alloy, rotating pivot in stainless steel
- **Accurate even in a light breeze**
Light pointer and tail made of robust UV resistant composite
- **Visible at night**
Fluorescent paint under pointer, tail & arms
- **Multiple mounting options**
Bracket for horizontal or vertical mounting with a stainless steel nilstop & 8mm nut
- **Adjustable**
The reference arms are adjustable (template supplied) according to the tacking angle capability of each boat
- **Maintenance**
Spare parts available

Part No.	For Boat Length (m)	For Boat Length (ft)	Weight (g)	Weight (oz)	H (mm)	H (inch)
HT91170	11	33	140	5.64	300	12
HT91180	16	51	145	5.96	387	15
HT91190	18	60	155	6.03	457	18
HT91159	Plastic part kit					

FLAG CLIPS

FLAG CLIPS



HT..74



HPN016

HPN016B

Part No.	Description	Max Rope Dia. (mm)	Length (mm)	Thickness (mm)	Weight (g)
HT..74	Spinnaker clip	6	36	4	7
HPN016	Sister clip Nylon large	7	39	9	2.4
HPN016B	Sister clip Nylon small	3	22	4	1.2

NYLON SNAP HOOKS

SNAP HOOK RANGE

57MM Hole Centres

57MM Hole Centres



HPN004



HPN005



HPN013A



HPN013B



HPN021



HPN021A



HPN022



HPN022A



HPN033-WHITE



HPN045-WHITE



HPN056



HPN056B



HPN092

NEW SELF LOCKING SHOCKCORD HOOK

3-4mm Shockcord



HPN388



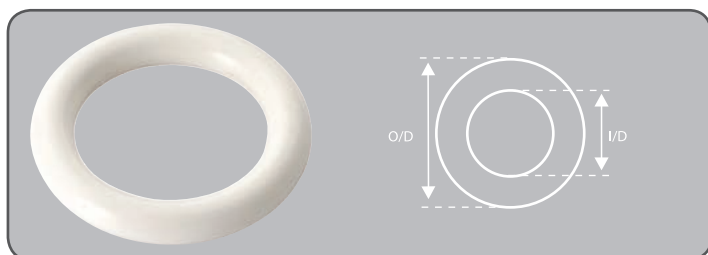
Shockcord end pushes into end and snaps tight

HPN164

Part No.	Description	Length
HPN004-White	screw on hook - white	42
HPN005-Black	snap fairlead - black	74
HPN013A-White	snap hook, white	59
HPN013B-Black	snap hook small - black	45
HPN021-White	thread on snap hook large	59
HPN021A-White	thread on snap hook small	36
HPN022-White	shockcord hook, 6mm	50
HPN022A-White	shockcord hook, 5mm	35
HPN025A-GREY	closed leech line cleat - grey	-
HPN025-GREY	open leech line cleat - grey	-
HPN032-BLACK	lacing buckle - black	-
HPN033-BLACK	lacing eye - black	-
HPN033-WHITE	lacing eye - white	-
HPN045-BLACK	deck hook - black	-
HPN045-WHITE	deck hook - white	-
HPN056-WHITE	shockcord hook 7mm - white	52
HPN056B-BLACK	shockcord hook 5mm - black	46
HPN056B-WHITE	shockcord hook 5mm - white	46
HPN084-vWHITE	lacing hook (not shown)	27
HPN084-BLACK	lacing hook (not shown)	27
HPN092-BLACK	lacing hook	32
HPN387-BLACK	small 3 - 5mm shock cord	-
HPN388-WHITE	medium 3 - 5mm shock cord	-
HPN388-BLACK	medium 3 - 5mm shock cord	-
HPN389-WHITE	large 5 - 8mm shock cord	-
HPN389-BLACK	large 5 - 8mm shock cord	-

NYLON RINGS

NYLON RING RANGE



Part No.	Description	ID (mm)	OD (mm)
HPN012-white	nylon ring	8	17
HPN052A-white	nylon ring	13	21
HPN052C-white	nylon ring	20	30
HPN053A-white	nylon ring	17	26
HPN265-white	nylon ring	22	38
HPN266-white	nylon ring	28	46

NYLON TUBE CLIPS

NYLON CLIPS RANGE

LAY DOWN PADDLE CLIP

Lies flat on deck when not in use



HPN036B - 32MM

HPN036C - 27MM-29MM



HPN043A



HPN043B



HPN043C



HPN043D



HPN043E



HPN043F

Part No.	Description	Tube Dia (mm)
HPN036B-BLACK	lay down paddle clip 32mm	32
HPN036-BLACK	single screw lacing eye black	32
HPN036C-BLACK	lay down paddle clip 27mm-29mm	27-29
HPN043A-BLACK	tube clip 50mm - black	50
HPN043A-WHITE	tube clip 50mm - white	50
HPN043B-BLACK	tube clip 40mm, in black	40
HPN043B-WHITE	tube clip 40mm, in white	40
HPN043C-BLACK	tube clip 30mm, in black	30
HPN043C-WHITE	tube clip 30mm, in white	30
HPN043D-BLACK	tube clip 25mm, in black	25
HPN043D-WHITE	tube clip 25mm, in white	25
HPN043E-WHITE	tube clip 16mm - white	16
HPN043E-BLACK	tube clip 16mm - black	16
HPN043F-BLACK	tube clip 20mm, in black	20
HPN043F-WHITE	tube clip 20mm, in white	20

SAIL TRIM

NYLON THIMBLES

NYLON THIMBLES



HPN070
HPN078-WHITE
HPN078A-WHITE
HPN078B-WHITE
HPN078C-WHITE

HPN076

Part No.	Description	Line Size (mm)
HPN062-WHITE	thimble, 2mm	2
HPN070	thimble, 8mm	8
HPN076-BLACK	thimble, 6mm rail line dropper	6
HPN078-WHITE	thimble 8mm - white	8
HPN078A-WHITE	thimble 10mm - white	10
HPN078B-WHITE	thimble 12mm - white	12
HPN078C-WHITE	thimble 16mm	16
HPN076	thimble, 6mm rail line dropper	6

MAST ACCESSORIES

MASTS ACCESSORIES RANGE



Part No.	Description
HPN200A-BLUE	mast chock curved, 10mm - blue
HPN200B-BLUE	mast chock flat, 10mm - blue

Both products shown in image

ROPE STOPPERS

ROPE STOPPER RANGE



ROPE STOPPERS
Available in 4 colours:
red, blue, green & black

Sizes:

	OUTER	MAX ROPE
50MM	40MM	12MM
A 32MM		7MM
B 25MM		6MM
C 20MM		5MM
D 16MM		



HALYARD STOPPER
Available in 4 colours:
red, blue, green & black

Sizes:

	OUT
A 32MM	
C 16MM	20MM

Part No.	Description
HPN070-BLACK	tie ball, 50mm black
HPN070-GREEN	tie ball, 50mm green
HPN070-RED	tie ball, 50mm red
HPN070-WHITE	tie ball, 50mm white
HPN070-BLUE	tie ball, 50mm blue
HPN070-GREEN	tie ball, 50mm green
HPN070-RED	tie ball, 50mm red
HPN070A-BLACK	tie ball, 32mm black
HPN070A-BLUE	tie ball, 32mm blue
HPN070A-GREEN	tie ball, 32mm green
HPN070A-RED	tie ball, 32mm red
HPN070A-WHITE	tie ball, 32mm white
HPN070B-BLACK	tie ball, 25mm black
HPN070B-BLUE	tie ball, 25mm blue
HPN070B-GREEN	tie ball, 25mm green
HPN070B-RED	tie ball, 25mm red
HPN070B-WHITE	tie ball, 25mm white
HPN070C-BLACK	tie ball, 20mm black
HPN070C-BLUE	tie ball, 20mm blue
HPN070C-GREEN	tie ball, 20mm green
HPN070C-RED	tie ball, 20mm
HPN070C-WHITE	tie ball, 20mm white
HPN070D - BLACK	tie ball, 16mm black
HPN070D-BLUE	tie ball, 16mm blue
HPN070D-GREEN	tie ball, 16mm green
HPN070D-RED	tie ball, 16mm red
HPN070D-WHITE	tie ball, 16mm white
HPN272A-BLACK	halyard stopper ball, 32mm
HPN272D-BLACK	halyard stopper ball, 16mm

Part No.	Description
HPN272A-BLUE	halyard stopper ball, 32mm
HPN272A-GREEN	halyard stopper ball, 32mm
HPN272A-RED	halyard stopper ball, 32mm
HPN272A-WHITE	halyard stopper ball, 32mm
HPN272D-BLUE	halyard stopper ball, 16mm
HPN272D-GREEN	halyard stopper ball, 16mm
HPN272D-RED	halyard stopper ball, 16mm
HPN272D-WHITE	halyard stopper ball, 16mm

SPINNAKER SHACKLE GUARDS

SPINNAKER SHACKLE GUARD RANGE



SPINNAKER SHACKLE GUARDS
Can also be used as trapeze line handles on dinghies

Part No.	Description
HPN197-GREEN	trapeze / spinnaker beak guard 40mm
HPN197-RED	trapeze / spinnaker beak guard 40mm
HPN197-RED	trapeze/spinnaker beak guard 40mm
HPN198-BLUE	trapeze / spinnaker beak guard 60mm
HPN198-RED	trapeze / spinnaker beak guard
HPN198-RED	trapeze / spinnaker beak guard
HPN198-GREEN	trapeze / spinnaker beak guard
HPN198-GREEN	trapeze / spinnaker beak guard
HPN199-GREEN	spinnaker beak guard 70mm
HPN199-GREEN	spinnaker beak guard 70mm
HPN199-RED	spinnaker beak guard 70mm

POLE LAUNCHER

CAST CHASIS

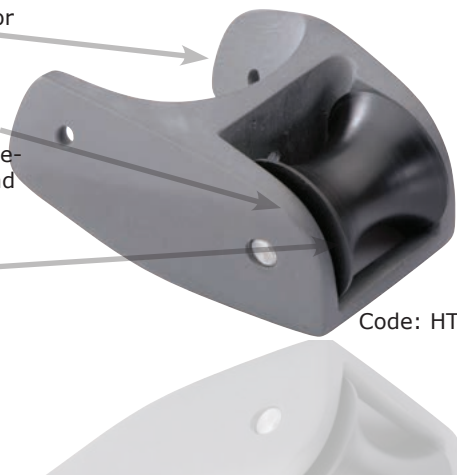
Cast aluminium chasis with tolerance to fit popular mast sections (minor fairing may be required).

SEALED BEARING SYSTEM

Sealed stainless thrust bearings reducing friction when launching and recovering the spinnaker pole

DELRIN® SHEAVE

Hard wearing and greater UV stability



Code: HT.932

USAGE ▼

Most mounted spinnaker pole launcher suitable for Squibs, 505's and Fireballs



HIGHFIELD LEVERS

HIGHFIELD LEVER RANGE



HT4160 (MELGE)



HT4260



HT4260-1

Part No.	Throw (mm)	Adjust (mm)	Back Plate Size (mm)	No. of Adjust.	Weight (g)
HT4160	70	-	16 x 2	-	100
HT4260	75	63	16 x 2	6	193
HT4260-1	75	-	12 x 5	-	111

STAINLESS HOOKS

STAINLESS HOOK RANGE



HT4659



HT4159



HT4259



HT4869K



HT4969



HT4869

Part No.	Max Rope Size (mm)	Length (mm)	Weight (g)
HT4659	10	67	19
HT4159	10	67	20
HT4259	10	61	27
HT4869K	5	52	24.1
HT4969	5	52	23
HT4869	5	52	23

RILEY FORGED SHACKLES

RILEY SHACKLE RANGE



HT5404S



HT5405S



HT5405N



HT5406S

Part No.	Length (mm)	Width Btwn. Arms (mm)	Pin Dia. (mm)	Breaking Load (kg)	Weight (g)
HT5404S	15	9	4	780	4.4
HT5405S	19	11	5	1250	9
HT5405N	19	5	5	1250	8.2
HT5406S	24	13	6.4	2500	19

TRAPEZE EQUIPMENT

DYNAMIC BEARING SYSTEM - Allow precise adjustment when loaded.

PRO-STRAP
Shockcord kind cold forged strap to allow shockcord attachment

WIDE ENTRY
Making it easier to connect with trapeze harness hook



TRAPEZE EQUIPMENT



HT4261



HT..60



CL253AN



CL253



HT6180



HPN196R



HPN196B

Part No.	Length (mm)	Line Dia. (mm)	Shackle Pin Dia. (mm)	Safe Working Load (kg)	Weight (g)
HT4261	175	4 - 6	-	350	69
HT..60	54	-	-	-	13
CL253AN	89	4 - 8	5	150	46
CL253	89	4 - 8	5	150	46
HT6180	38	2 - 3.5	5	300	15
HPN196R	40	2.5-3	-	-	8
HPN196B	40	2.5-3	-	-	8

Mast Tang



HT4041

T-Terminal Backing Plate



HT4283

Part No.	Length (mm)	Width (mm)	Fix Hole Size (mm)	Fixing Centres (mm)
HT4041	77	16	5	11
HT4283	44	19	4	31

BOOM FITTINGS



HT4142



HT4413



HT91104



SHT312



SHT873

Part No.	Fixing hole (mm)	Spar Width (mm)	Strap Thickness (mm)	Weight (g)
HT4142	5	50-80	1.5	22
HT4413	5	50-80	1.5	38
HT91104	5	50-80	2	89
SHT312	5.5	-	-	-
SHT873	5.5	-	-	-

RIGGING FITTINGS

TILLER EXTENSIONS & FITTINGS

FOAM GRIP
Non-slip giving fingertip control

TWIST LOCK
Extendable twist lock mechanism provides fast firm operation that won't slip

CARBON FIBRE
Manufactured from 100% carbon fibre ultra light tube

Extendable Carbon Fibre Tiller Extension

CARBON FIBRE
Manufactured to exact specification. Lighter and stiff for ultimate powered steering

CARBON TILLER EXTENSION RANGE



Carbon Extendable Tiller Extensions - Suitable for:	Part No.	Length (mm)	Length (ft)	Weight (g)
Sports Boats, Racing Dinghies	HT5508-13	800 - 1300	2'5" - 4'3"	169.5
470, 420, B14, F18 Catamarans	HT5511-19	1100 - 1900	3'6" - 6'3"	231.2
Carbon Tiller Extension - Suitable for:	Part No.	Length (mm)	Length (ft)	Weight (g)
Optimist	HT5506	609	2'	95.5
Cadet	HT5507	710	2'3"	103.4
Enterprise, Laser 3000	HT5509	900	2'10"	122
Buzz	HT5510	1000	3'3"	130.2
Finn, 470, 420, RS400, Laser 1, Laser 2, RS Feva, Solo	HT5512	1200	4'	147.1
RS 400 (long), Merlin Rocket, Int. Moth	HT5514	1400	4'10"	163.5
B14, RS600, Int. 14, Contender, Musto Skiff,	HT5519	1900	6'3"	205.2
Short armed Int. 14 Sailers, RS 700	HT5521	2100	6'9"	226.2
49er	HT5525	2500	8'3"	269.3

ALUMINIUM TILLER EXTENSION RANGE



Lightweight hard anodised aluminium extensions, complete with pro-tiller joint and foam grip. New graphite coloured anodising as standard in our variety of lengths.

Hard Anodised Aluminium Tiller Extensions. Suitable for:	Part No.	Length (mm)	Length (ft)	Weight (g)
Topper	HT4498TOP	975	3'2"	182
Laser 2, Laser 3000	HT4298	762	2'6"	147
470, 420, Enterprise, GP14, Pico	HT4498	915	3'	170
Laser, RS400, Finn	HT4698	1067	3'6"	195
RS B14, RS600, Int. 14, Contender, Spice	HT4798	1975	6' 6"	347
Optimist, Cadet	HT4898	609	2'	124

TILLER JOINTS & CLIP RANGE



Part No.	Description	Hole Size (mm)	Suit Tiller Ext. (mm)	Weight (g)
HT5098	Pro Tiller Joint	5	13 (min I/D)	22
HT5099	Universal joint (twist open)	5	13 (min I/D)	27
HT4098	Universal joint with bolt fixing	4	17 (max O/D)	41
HT.454	Tiller Retaining clip	-	-	16

Universal Dinghy rudder stock and tiller. Complete with tiller joint & cleat.



HT4598

HT91113



HOLT PERFORMANCE ROPE

ROPE RANGE

Holt Pro-Sheet

12 Strand Dyneema® Core with light-weight high wearing polyester cover.



Holt Pro-Line

12 Strand SK75 Dyneema® UV Protective Coating



Holt Ultra-Line

12 Strand Vectran® UV Protective Coating



USAGE:

Easy to splice
Suitable for
Sheets, control
lines, halyards,
vangs, cunning-
hams & backstay
systems

Holt Performance Rope

Description	Code	Dia. (mm)	Colour	Ave Break Load (kg)	Length on Reel (m)
2.5mm Pro-Line Red	HPR..1	2.5mm	Red	569	100
2.5mm Pro-Line Blue	HPR..2	2.5mm	Blue	569	100
3.5mm Pro-Line Red	HPR..3	3.5mm	Red	995	100
3.5mm Pro-Line Blue	HPR..4	3.5mm	Blue	995	100
2.5mm Ultra-Line	HPR..6	2.5mm	Graphite	627	100
3mm Ultra-Line	HPR..7	3mm	Graphite	993	100
6mm Pro-Sheet Red/White	HPR..8	6mm	Red/White	995	100
6mm Pro-Sheet White/Blue	HPR..9	6mm	White/Blue	995	100
8mm Pro-Sheet Red/White	HPR..10	8mm	Red/White	1300	100
8mm Pro-Sheet White/Blue	HPR..11	8mm	White/Blue	1300	100



Splicing Needles

Description	Code	Quantity
Splicing needle suitable for 2-3mm rope	S034	1
Splicing needle suitable for 3.5-6mm rope	S036	2

RIGGING FITTINGS

PRO LUBE / JAP TAPE

PRO-LUBE & JAPTAPE

PRO-LUBE HT5316

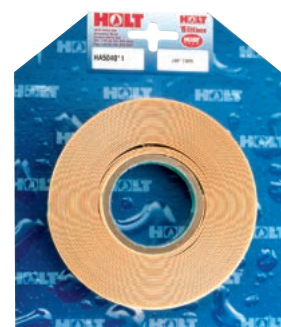
PTFE lubricant spray. Leaves a high slip environment that provides lasting lubricant



HA5316

JAP TAPE HT5040

Ribbed PTFE coated tape for packing out dagger board cases and mast gates.



HT5040

20MM DYNAMIC BLOCKS

PRO-STRAP

Cold forged strap, gives rope friendly attachment & greater articulation

STAINLESS CHEEKS

Optimised rope guides with larger windows to reduce weight and allow easy rinsing

OPEN AXLE

Strength in critical load area. Allows ropes to be tied directly without becket

DYNAMIC BEARING SYSTEM

Stainless ball bearings on a stainless axle

FULL MOULDED JACKET

Sheave protection & impact resistance



TECHNICAL

Sheave: Diameter - 20mm
 Width: 7mm
 Material: Acetal resin
 Cheeks: Glass filled nylon with 316 stainless steel straps
 Axle: 316 stainless steel
 Line size: 2.5 - 6mm

USAGE

Control Lines
 Lead Blocks
 Vang Cascades
 Cunningham Systems
 Halyard Leads

30MM DYNAMIC BLOCKS

OPEN AXLE

Strength in critical load area. Allows ropes to be tied directly without becket

DYNAMIC BEARING SYSTEM

Stainless ball bearings on stainless axle

FULL COMPOSITE BODY

Harnessing 20 & 30mm Dynamic Bearing sheaves. The ultimate in lightweight performance

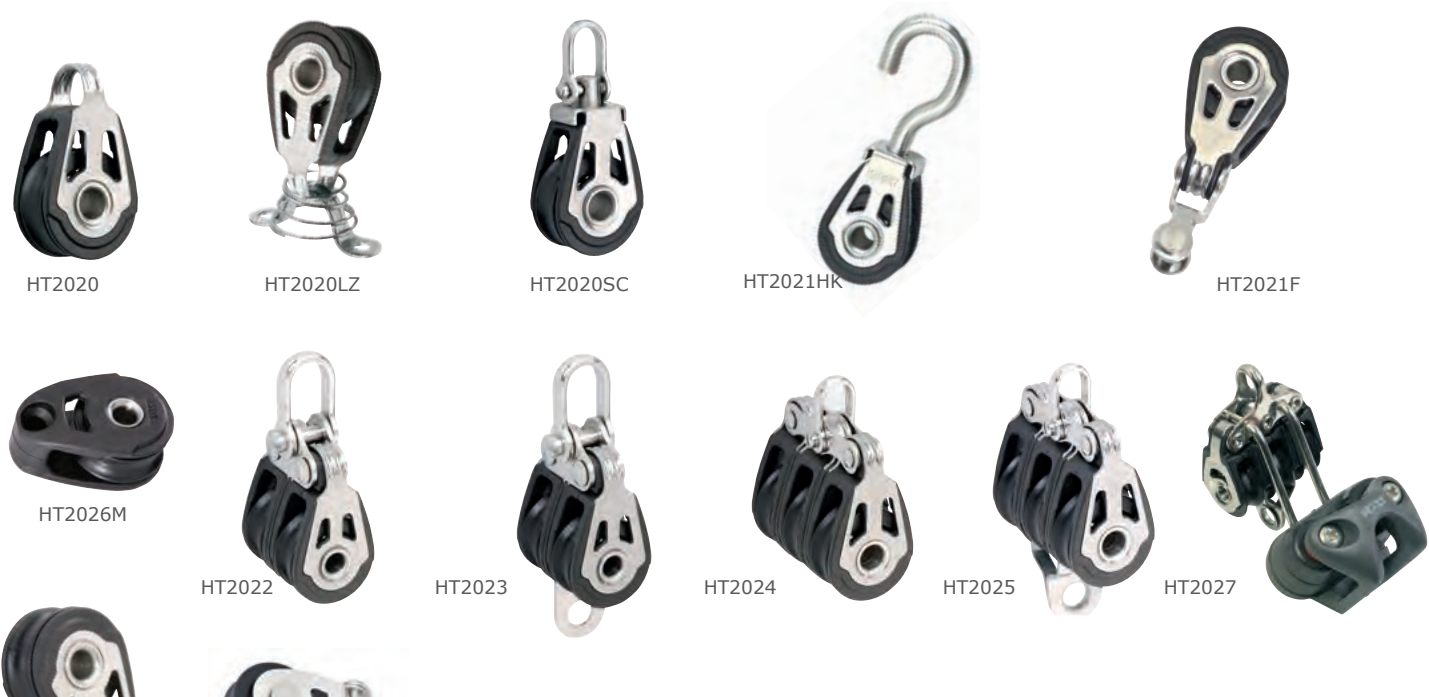


TECHNICAL

Sheave: Diameter - 30mm
 Width: 10mm
 Material: Acetal resin
 Cheeks: Glass filled nylon with 316 stainless steel straps
 Axle: 316 stainless steel
 Line size: 5-10mm

USAGE

Mainsheet Systems
 Back Stay Systems
 Control Lines
 Lead Blocks
 Vang Cascades
 Cunningham Systems



Part No.	Length (mm)	Line Dia. (mm)	Shackle Pin Dia. (mm)	Breaking Load (kg)	Max Dynamic Load (kg)*	Weight (g)
HT2020	37	2.5 - 6	-	750	125	11.1
HT2020LZ	41	2.5 - 6	-	750	125	15.4
HT2021SC	49	2.5 - 6	4	400	125	15.4
HT2021HK	60	2.5 - 6	-	165	125	17.1
HT2021F	48	2.5 - 6	4	350	115	15.2
HT2026M	45	2.5 - 6	-	650	115	15.3
HT2022	49	2.5 - 6	4	650	200	31.6
HT2023	61	2.5 - 6	4	650	225	33.5
HT2024	51	2.5 - 6	4	650	300	47.9
HT2025	66	2.5 - 6	4	650	320	52.9
HT2027	79	2.5 - 6	4	650	320	86.9
HT2028	70	2.5 - 6	-	500	125	36.2
HT4968	30	4 - 6	-	350	125	17

30MM DYNAMIC RANGE



Part No.	Length (mm)	Line Dia. (mm)	Shackle Pin Dia. (mm)	Breaking Load (kg)	Max Dynamic Load (kg)*	Weight (g)
HT2030	50	5 - 10	-	900	170	26
HT2030LZ	58	5 - 10	-	600	170	30.2
HT2030SC	70	5 - 10	4	600	170	37
HT2038	64	5 - 10	-	600	170	64
HT2030V	50	5 - 10	4	600	240	43
HT2036M	50	5 - 10	-	400	140	24
HT2032	64	5 - 10	5	1250	280	72
HT2033	76	5 - 10	5	1250	350	77
HT2034	67	5 - 10	5	1750	420	103
HT2035	87	5 - 10	5	1750	490	114
HT2037	96	5 - 10	5	1750	490	146
HT2039-CAM	94	5 - 10	-	750	140	52
HT4978	63	5 - 10	-	850	170	52
HT2039	96	5 - 10	-	850	140	58

20MM MININOX BLOCKS

STAINLESS CHEEKS

Large window to reduce weight and allow easy rinsing

ROLLER BEARING SYSTEM Delrin needle bearing enables high static load applications



TECHNICAL

Sheave: Diameter - 20mm
Width: 7mm
Material: Acetal resin
316 stainless steel straps
Axle: 316 stainless steel
Line size: 2.5 - 6mm

USAGE

Control Lines
Lead Blocks
Vang Cascades
Cunningham Systems
Halyard Leads
Rig Tension Systems - (Boat Breakers)

40MM BLOCKS

ORGANIC BEARING SYSTEM

Aluminium large central axle provides a lightweight alternative to the stainless. Aluminium dissipates heat build up giving excellent performance



40MM TECHNICAL

Sheave: Diameter - 40mm
Material: Acetal resin
Cheeks: Glass filled nylon
Axle: Aluminium
Dyn Axle: 316 Stainless
Line size: 5 - 12vmm

USAGE

40MM RANGE
Sheet Blocks
Foot Blocks / Leads
Backstay systems



Part No.	Sheave Size (mm)	Max Line (mm)	SWL (kg)	Break Load (kg)	Weight (g)
HT92510	20	6	120	350	24
HT92550	20	6	150	350	28
HT92511	20	6	150	350	26
HT92551	20	6	180	350	32
HT92514	20	6	120	550	12
HT92554	20	6	150	550	18
HT92515	20	6	180	550	14
HT92555	20	6	180	550	20
HT92534	20	6	300	600	60
HT92535	20	6	300	600	64
HT92536	20	6	300	600	100
HT92537	20	6	300	600	105
HT92540	20	6	120	550	24
HT92541	20	6	120	550	24
HT92516	20	6	120	400	22
HT92561	20	6	150	400	32
HT92519	20	6	120	400	22
HT92559	20	6	150	400	28
HT92518	20	6	120	400	16
HT92558	20	6	150	400	22
HT92524	20	6	220	600	40
HT92525	20	6	240	600	44
HT92512	20	6	120	350	18



Part No.	Line Dia. (mm)	Shackle Pin Dia.(mm)	Breaking Load (kg)	Max Dynamic Load (kg)	Weight (g)
HT92035	5 - 10	5	400	200	40
HT92040	5 - 10	5	400	200	45
HT92050	5 - 10	-	400	220	38
HT92055	5 - 10	5	600	200	98
HT92058	5 - 10	5	600	200	100
HT92061	6 - 12	5	650	400	131
HT92069	6 - 12	5	650	600	138



57MM ORGANIC BLOCKS

ORGANIC BEARING SYSTEM Aluminium large central axle provides a lightweight alternative to the Dynamic. Aluminium dissipates heat build up giving excellent performance



57MM TECHNICAL

Sheave: Diameter - 57mm
 Material: Acetal resin
 Cheeks: Glass filled nylon
 Axle: Aluminium
 Line size: 6 - 12mm

USAGE
 Sheet Block
 Catamaran Mainsheet Systems
 Footblocks

57MM RANGE



HT92010 HT92011 HT92014 HT92015 HT92017 HT92018



HT92000 HT92001 HT92002 HT92003 HT92012 HT92013



HT92020 HT92024 HT92021



HT99030 HT92034 HT92086

Part No.	Sheave Size (mm)	Max Line (mm)	SWL (kg)	Break Load (kg)	Weight (g)
HT92010	57	12	240	500	85
HT92011	57	12	280	550	95
HT92014	57	12	240	500	70
HT92015	57	12	240	500	80
HT92017	57	12	450	900	80
HT92018	57	12	450	900	80
HT92000	57	12	300	600	124
HT92001	57	12	300	600	134
HT92002	57	12	300	600	205
HT92003	57	12	300	600	216
HT92012	57	12	240	500	187
HT92013	57	12	280	500	219
HT92020	57	12	300	550	185
HT92024	57	12	350	550	215
HT92021	57	12	350	550	195
HT92030	57	12	400	600	241
HT92034	57	12	400	600	310
HT92086	57	12	500	800	420

RATCHET BLOCKS

NEW
40MM AUTORATCHET

SWIVEL HEAD
 Slot Shackle head

COMPOSITE CHEEKS
 Advanced carbon composite cheeks, great strength without the expense of weight

ALUMINIUM SHEAVE
 Hard anodised CNC'd sheave for ultimate grip & wear resistance

SHEAVE ACTIVATED RATCHET
 Ratchet trigger embedded in centre of sheave for optimum performance



USAGE
 40MM AUTORATCHET

40MM AUTORATCHET- TM



HT2240

40MM TECHNICAL

Sheave: Diameter - 40mm
 Material: Aluminium
 Cheeks: Glass filled nylon
 Axle: 316 Stainless
 Line size: 4 - 7mm



57MM SWITCHING RATCHET RANGE



HT92074HP HT92075 HT92076 HT92072 HT92070

USAGE
60MM RANGE
 Sheet Blocks
 Catamaran mainsheet systems



HT99083



Transparent 57mm Ratchet HT92783

Part No.	Line Dia. (mm)	Shackle Pin Dia. (mm)	Breaking Load (kg)	Safe Working Load (kg)	Weight (g)
HT2240	4 - 7	4	400	190	62
HT2240T	4 - 7	4	400	190	42
HT92074	5 - 12	5	500	240	107
HT92075	5 - 12	5	500	240	118
HT92076	5 - 12	5	500	240	187
HT92072	5 - 12	5	600	240	224
HT92070	5 - 12	5	600	240	124
HT99083	5 - 12	5	500	240	107
HT92783	5 - 12	5	200	80	117

28MM LINE BLOCKS



28MM TECHNICAL

Sheave: Dia - 28mm
 Material: Acetal Resin / High Load Aluminium
 Cheeks: 316 Stainless
 Axle: 316 Stainless

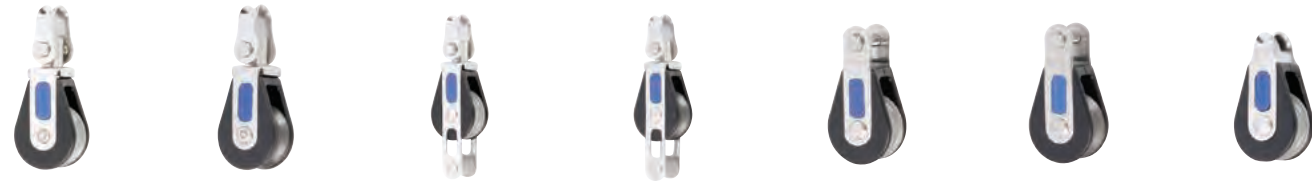
USAGE 28MM RANGE

Sheet Blocks
 Halyard Leads
 Vang / Cunningham systems

28MM RANGE

Alloy Sheave

Alloy Sheave



HT92410 HT92450 HT92411 HT92451 HT92431 HT92432 HT92414

Alloy Sheave Alloy Sheave



HT92454 HT92415 HT92455 HT92426 HT92427 HT92436 HT92437

Alloy Sheave



HT92440 HT92441 HT92428 HT92468

Alloy Sheave



HT92418 HT92458 HT92424 HT92425



HT92434 HT92435 HT92442 HT92416

Alloy Sheave Alloy Sheave



HT92461 HT92419 HT92459 HT92429

Alloy Sheaves



HT92469

Part No.	Sheave Size (mm)	Max Line (mm)	SWL (kg)	Break Load (kg)	Weight (g)
HT92410	28	10	120	750	39
HT92450	28	10	158	750	44
HT92411	28	10	120	750	48
HT92451	28	10	158	750	52
HT92431	28	10	110	700	30
HT92432	28	10	180	700	40
HT92414	28	10	120	750	22
HT92454	28	10	158	750	27
HT92415	28	10	120	750	40
HT92455	28	10	158	750	48
HT92426	28	10	240	900	104
HT92427	28	10	240	900	114
HT92436	28	10	330	900	226
HT92437	28	10	330	900	230
HT92440	28	10	120	750	45
HT92441	28	10	120	750	50
HT92428	28	10	120	600	22
HT92468	28	10	150	600	27
HT92418	28	10	120	600	28
HT92458	28	10	150	900	33
HT92424	28	10	240	900	67
HT92425	28	10	240	900	74
HT92434	28	10	330	900	99
HT92435	28	10	330	900	102
HT92442	28 / 39	10	120	750	65
HT92416	28	10	120	900	57
HT92461	28	10	150	900	82
HT92419	28	10	120	900	40
HT92459	28	10	150	900	45
HT92429	28	10	120	900	54
HT92469	28	10	150	900	65

39MM LINE BLOCKS



39MM TECHNICAL

Sheave: Dia - 39mm
 Material: Acetal Resin / High Load Aluminium
 Cheeks: 316 Stainless
 Axle: 316 Stainless

USAGE 39MM RANGE

Sheet Blocks
 Vang / Cunningham Systems Lead Blocks

39MM RANGE

Alloy Sheave

Alloy Sheave



HT92313 HT92442 HT92343 HT92314 HT92340 HT92341 HT92354

Alloy Sheave



HT92310 HT92350 HT92331 HT92332 HT92318 HT92358 HT92316

Alloy Sheave

Alloy Sheave



HT92361 HT92319 HT92359

Alloy Sheave

Alloy Sheave



HT92315 HT92355 HT92311 HT92351

Alloy Sheaves



HT92324 HT92326 HT92329 HT92369



HT92325 HT92327 HT92334 HT92336



HT92330 HT92335 HT92337

Part No.--	Sheave Size (mm)	Max Line (mm)	SWL (kg)	Break Load (kg)	Weight (g)
HT92313	39	10	55	820	160
HT92442	39	10	120	750	65
HT92343	39	10	135	820	84
HT92314	39	10	135	820	22
HT92340	39	10	135	820	84
HT92341	39	10	135	820	94
HT92354	39	10	210	820	50
HT92310	39	10	135	820	61
HT92350	39	10	210	820	69
HT92331	39	10	135	820	40
HT92332	39	10	210	820	68
HT92318	39	10	135	820	61
HT92358	39	10	210	820	69
HT92316	39	10	135	820	82
HT92361	39	10	210	820	91
HT92319	39	10	135	820	63
HT92359	39	10	210	820	71
HT92315	39	10	135	820	52
HT92355	39	10	210	820	62
HT92311	39	10	135	820	71
HT92351	39	10	210	820	79
HT92324	39	10	250	820	120
HT92326	39	10	200	820	275
HT92329	39	10	135	820	71
HT92369	39	10	210	820	93
HT92325	39	10	250	820	130
HT92327	39	10	200	820	285
HT92334	39	10	330	1000	181
HT92336	39	10	250	1000	345
HT92330	39	10	300	500	173
HT92335	39	10	330	1000	190
HT92337	39	10	250	1000	355

57MM LINE BLOCKS

USAGE 57MM RANGE

Sheet Blocks
Halyard Leads
Vang / Cunningham systems

57MM TECHNICAL

Sheave: Dia - 57mm
Material: Acetal Resin /
High Load Aluminium
Cheeks: 316 Stainless
Axle: 316 Stainless

57MM RANGE



Part No.	Sheave Size (mm)	Max Line (mm)	SWL (kg)	Break Load (kg)	Weight (g)
HT92218	57	12	210	1080	97
HT92258	57	12	300	1080	107
HT92210	57	12	210	1080	125
HT92211	57	12	210	1080	145
HT92250	57	12	400	1300	148
HT92231	57	12	210	1080	154
HT92251	57	12	400	1300	167
HT92232	57	12	400	1300	167
HT92200	57	12	300	1080	170
HT92228	57	12	400	1080	175
HT92219	57	12	210	950	180
HT92201	57	12	300	1080	190
HT92259	57	12	400	1100	210
HT92268	57	12	400	1080	222
HT92220	57	12	480	1300	226
HT92221	57	12	480	1300	240
HT92212	57	12	210	1080	287
HT92213	57	12	210	1080	311
HT92230	57	12	500	1080	315
HT92223	57	12	480	1300	320
HT92202	57	12	300	1080	345
HT92203	57	12	300	1080	358
HT92234	57	12	600	1300	375
HT92224	57	12	480	1300	375
HT92240	57	12	400	1000	380
HT92225	57	12	480	1300	380
HT92235	57	12	600	1300	395
HT92244	57	12	700	1300	420
HT92236	57	12	600	1300	553
HT92237	57	12	600	1300	573



57MM LINE RATCHET BLOCKS

USAGE 57MM RATCHETS

Main Sheet Blocks
Catamarans - Dinghy - Yachts

57MM TECHNICAL

Sheave: Dia - 57mm
Material: Aluminium
Cheeks: 316 Stainless
Axle: 316 Stainless



57MM RANGE



Part No.	Sheave Size (mm)	Max Line (mm)	SWL (kg)	Break Load (kg)	Weight (g)
HT92710	57	12	200	1080	136
HT92709	57	12	200	1080	136
HT92718	57	12	200	1080	110
HT92717	57	12	200	1080	110
HT92713	57	12	210	1080	311
HT92711	57	12	200	1080	153
HT92712	57	12	200	1080	315
HT92700	57	12	240	1080	179
HT92702	57	12	240	1080	212
HT92703	57	12	240	1080	369
HT92733	57	12	500	1080	520
HT92701	57	12	240	1080	190
HT92746	57	12	700	1500	600
HT92747	57	12	700	1500	770
HT92737	57	12	500	1300	598
HT92736	57	12	500	1300	580
HT92727	57	12	400	800	620
HT92773	57	12	500	1080	446
HT92771	57	12	400	1080	287
HT92772	57	12	500	1080	300
HT92774	57	12	500	1080	462
HT92777	57	12	400	1080	350

75MM LINE BLOCKS

USAGE
75MM RANGE



75MM TECHNICAL

Sheave: Dia - 75mm
Material: Acetal Resin /
High Load Aluminium
Cheeks: 316 Stainless
Axle: 316 Stainless

75MM LINE BLOCKS



Part No.	Sheave Size (mm)	Max Line (mm)	SWL (kg)	Break Load (kg)	Weight (g)
HT92110	75	14	300	1100	201
HT92150	75	14	450	1200	235
HT92111	75	14	350	1100	212
HT92151	75	14	500	1200	250
HT92101	75	14	350	1100	300
HT92100	75	14	340	1100	287
HT92102	75	14	340	1100	446
HT92103	75	14	350	1100	462
HT92124	75	14	600	1500	392
HT92125	75	14	600	1500	415
HT92130	75	14	350	1100	550
HT92134	75	14	600	1350	595
HT92135	75	14	700	1350	615
HT92136	75	14	600	1350	743
HT92137	75	14	700	1350	821
HT92144	75	14	800	1500	760
HT92118	75	14	330	1000	152
HT92158	75	14	500	1200	182
HT92128	75	14	600	1350	310
HT92131	75	14	380	1200	185
HT92132	75	14	450	1300	200

75MM LINE RATCHET BLOCKS

USAGE
75MM RANGE

Sheet Blocks
Mainsheet Systems:
Catamaran - Yachts



75MM TECHNICAL

Sheave: Dia - 75mm
Material: Acetal Resin /
High Load Aluminium
Cheeks: 316 Stainless
Axle: 316 Stainless

75MM LINE RATCHET BLOCKS



Part No.	Sheave Size (mm)	Max Line (mm)	SWL (kg)	Break Load (kg)	Weight (g)
HT92618	75	14	300	950	225
HT92617	75	14	300	950	225
HT92613	75	14	350	1100	428
HT92612	75	14	300	1100	428
HT92611	75	14	350	1100	255
HT92610	75	14	300	1100	136
HT92609	75	14	300	1100	136
HT92603	75	14	350	1100	502
HT92602	75	14	300	1100	485
HT92601	75	14	350	1100	300
HT92600	75	14	300	1100	287
HT92633	75	14	600	1100	702
HT92636	75	14	600	1400	807
HT92637	75	14	600	1400	832
HT92655	75	14	700	1350	969
HT92661	75	14	550	1350	735
HT92662	75	14	650	1350	750
HT92663	75	14	670	1350	800
HT92664	75	14	700	1350	870
HT92666	75	14	500	1350	700

WEB LINE BLOCKS

WEB TECHNICAL

Sheave: Dia - 57-125MM
 Material: Hard Anodised Aluminium
 Cheeks: Hard Anodised Aluminium
 Axle: Hard Anodised Aluminium



HT96169

HT96170

HT96171

HT96172

USAGE ▲

Runner Blocks
 Mainsheet
 Genoa Lead
 Mast Foot Blocks

Part No.	Sheave Size (mm)	Max Line (mm)	SWL (kg)	Break Load (kg)	Weight (g)
HT96169	57	12	1000	2000	100
HT96170	75	14	2100	4500	245
HT96171	100	16	3400	7000	400
HT96172	125	19	5000	10000	760

WEB TIE SHEAVES

WEB TIE SHEAVE TECH

Sheave: Diameter - 40-80MM
 Width: 12-22mm
 Material: Marine Grade Aluminium
 Line size: 2.5 - 16mm



HT95012

HT95011

HT95010



USAGE ▼

Vang Cascades
 Cunningham Systems
 Halyard Leads
 High Static Loads

Part No.	Length (mm)	Line Dia. (mm)	Breaking Load (kg)	Safe Working Load (kg)	Weight (g)
HT95012	80	4 - 14	10000	5000	140
HT95011	60	3 - 12	5000	2500	60
HT95010	40	2 - 10	1800	900	17.5

SNATCH BLOCKS

SNATCH TECHNICAL

Sheave: Diameter - 30/40mm
 Width: 10/18mm
 Material: Acetal resin
 Cheeks: Glass filled nylon
 Axle: 316 Stainless
 Line size: 5 - 12mm

USAGE ▼

Twinning Lines
 Sheet Tidy
 Continuous Furler / Code Zero Take ups



HT1375

HT4475

Part No.	Line Dia. (mm)	Breaking Load (kg)	Safe Working Load (kg)	Weight (g)
HT1375	10	700	230	95
HT4475	4 - 8	850	140	28

STANCHION LEAD BLOCKS

S-BLOCK TECHNICAL

Sheave: Diameter - 40mm
 Material: Acetal resin
 Cheeks: Glass filled nylon
 Axle: Aluminium
 Dyn Axle: 316 Stainless
 Line size: 4 - 10mm

USAGE ▼

Furler line leads

FULL MOULDED JACKET
 sheave protection and impact resistant

GEO CLAMP
 Designed for standard 25mm stanchions with optimal clamping geometry



HT.450A

HT.455

Part No.	Line Dia. (mm)	Breaking Load (kg)	Safe Working Load (kg)	Weight (g)
HT.450A	8 - 14	350	175	56
HT.455	8 - 14	350	175	42

PRO-FEEDER

The Pro-Feeder is made of 316 stainless steel and like other similar products, has a catch and a hinge that means it can be opened easily with a quick positive tug when required. It has rolling balls to reduce friction and aid in the smooth running of hoists and drops.

This product is designed with real time racing in mind where a cluster disaster can cost the race – if the luff is in trouble the pull piston action requires a simple strong tug – the piston is out of the way of the luff and therefore easier to open than other feeders. The hinge on this pro feeder is offset from the centre line – this mean the bowman can lash it to or around the forestay.



HT62483115

PLAIN BEARING BLOCKS

PLAIN BEARING



Part No.	Line Dia. (mm)	Shackle Pin Dia. (mm)	Breaking Load (kg)	Safe Working Load (kg)	Weight (g)
HT.178	8	-	250	140	13
HT.178-74	8	-	250	140	23
HT.278	10	-	300	155	36
HT.278-74	10	-	300	155	45
HT.378	10	-	300	155	38
HT..93	4 - 6	5	620	310	39
HT..93LZ	4 - 6	5	620	310	40
HT.165A	4 - 6	5	620	310	62
HT.165LZ	4 - 6	5	620	310	61
SHT873	-	-	620	310	12

45MM PLAIN BEARING BLOCKS

45MM PLAIN BEARING



Part No.	Line Dia. (mm)	Shackle Pin Dia. (mm)	Breaking Load (kg)	Safe Working Load (kg)	Weight (g)
HT95310	4 - 10	4	800	250	70
HT95311	4 - 10	4	800	300	82
HT95312	4 - 10	4	140	70	170
HT95313	4 - 10	4	200	120	182
HT95300	4 - 6	4	800	360	87
HT95301	4 - 6	4	800	400	92
HT95302	4 - 6	4	300	200	187
HT95303	4 - 6	4	400	270	197

60/80MM PLAIN BEARING BLOCKS

SWIVEL-STOP
An anti swivel head moulding is supplied with the block giving the option to have it - fixed head or swivel

COMPOSITE BODY
High tensile carbon composite body. Strong and lightweight

PLAIN BEARING SYSTEM
Locking tri-rivet head maintains sheave rotation under higher loads

USAGE

- Mainsheet systems
- Control Lines
- Sheet Blocks
- Vang Cascades
- Cunningham Systems
- Halyard Leads

60MM PLAIN BEARING



Part No.	Sheave Size (mm)	Max Line (mm)	Break Load (kg)	SWL (kg)	Weight (g)
HT95210	60	14	1000	350	123
HT95211	60	14	1000	420	136
HT95212	60	12	300	150	266
HT95213	60	12	400	200	279
HT95200	60 & 50	12	1000	400	178
HT95201	60 & 50	12	1000	600	193
HT95202	60 & 50	12	400	300	357
HT95203	60 & 50	12	500	400	372

*SWL based on cleat resistance

80MM PLAIN BEARING



Part No.	Sheave Size (mm)	Max Line (mm)	Break Load (kg)	SWL (kg)	Weight (g)
HT95110	80	14	1800	500	251
HT95111	80	14	1800	650	274
HT95112	80	12	300	200	458
HT95113	80	12	400	270	481
HT95100	80/50	14	1800	1000	360
HT95101	80/50	14	1800	1200	385
HT95102	80/50	12	600	400	567
HT95103	80/50	12	800	550	592

*SWL based on cleat resistance

OFFSHORE 57MM BLOCKS

SWIVEL-STOP
An anti swivel head locking screw - fixed head or swivel

ALUMINIUM BODY
High tensile teflon coated hard anodised aluminium body. Strong and lightweight

ROLLER BEARING SYSTEM
CNC machined roller / ball bearing system. Highload versions use Torlon rollers.



OFFSHORE 57MM TECH

Sheave: Diameter - 57mm
Material: CNC Aluminium
Cheeks: Aluminium
Axle: Aluminium

OFFSHORE 75MM BLOCKS

USAG

Sheet Blocks
Line Leads
Foot Blocks

OFFSHORE 75MM TECH

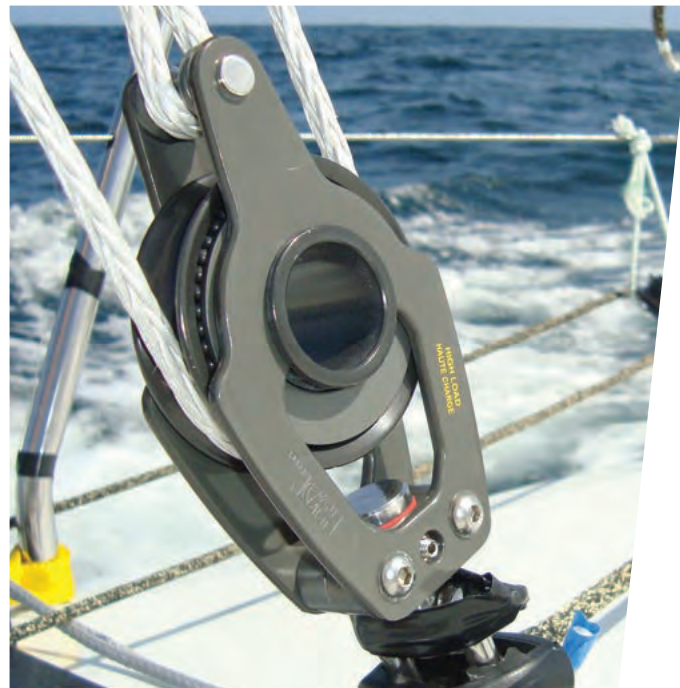
Sheave: Diameter - 75mm
Material: CNC Aluminium
Cheeks: Aluminium
Axle: Aluminium



OFFSHORE 57MM RANGE



OFFSHORE 75MM RANGE



Part No.	Sheave Size (mm)	Max Line (mm)	SWL (kg)	Break Load (kg)	Weight (g)
HT92800	57	12	700	1500	178
HT92808	57	12	1200	1500	178
HT92803	57	12	700	1500	120
HT92807	57	12	600	1000	210
HT92863	57	12	1200	3000	210
HT92812	57	12	1200	3000	120
HT92802	57	12	900	1500	120
HT92801	57	12	900	1500	185
HT92809	57	12	1300	1500	185
HT92804	57	12	1400	2000	310
HT92810	57	12	1200	3000	310
HT92806	57	12	600	1000	360
HT92813	57	12	600	1000	480
HT92862	57	12	600	1000	360
HT92805	57	12	1500	2000	324
HT92811	57	12	1200	3000	324



Part No.	Sheave Size (mm)	Max Line (mm)	SWL (kg)	Break Load (kg)	Weight (g)
HT92815	75	14	1300	4400	364
HT92823	75	14	2100	4400	364
HT92818	75	14	1300	4400	210
HT92814	75	14	1300	2000	260
HT92825	75	14	2200	4400	210
HT92817	75	14	1300	4400	210
HT92816	75	14	1500	4400	382
HT92824	75	14	2800	4400	384
HT92819	75	14	3800	6000	400
HT92883	75	14	3800	6000	400
HT92821	75	14	1300	2000	540
HT92822	75	14	1300	2000	480
HT92864	75	14	2200	4400	540
HT92820	75	14	3800	6000	450
HT92826	75	14	2500	4400	450
HT92827	75	14	2800	4400	495

OFFSHORE 100MM BLOCKS

USAGE ▼

- Sheet Blocks
- Turning Blocks
- Halyard Mast Foot Blocks



OFFSHORE 100/125MM

Sheave: Diameter - 100/125mm
 Material: CNC Aluminium
 Cheeks: Aluminium
 Axle: Aluminium

HALYARD / RUNNER BLOCKS

USAGE ▼

- Runners
- Halyard Foot Blocks



HALYARD / RUNNER TECH

Sheave: Diameter - 57-125mm
 Material: CNC Aluminium
 Cheeks: Aluminium
 Axle: Aluminium

OFFSHORE 100MM RANGE



HT92828 HT92831 HT92830 HT92829 HT92832

Part No.	Sheave Size (mm)	Max Line (mm)	SWL (kg)	Break Load (kg)	Weight (g)
HT92828	100	18	3300	6000	655
HT92831	100	18	3300	6000	580
HT92830	100	18	3300	6000	510
HT92829	100	18	3600	6000	695
HT92832	100	18	3300	6000	1100

RUNNER / HALYARD BLOCKS

57MM



HT92838 HT92839 HT92840

75MM



HT92841 HT92842 HT92843

With Ratchet & Cam



HT92844

100MM



HT92845 HT92846 HT92847

125MM



HT92848 HT92849

up to 12mm line

Part No.	Sheave Size (mm)	SWL (kg)	Break Load (kg)	Weight (g)
57mm				
HT92838	57	850	1500	120
HT92839	57	850	1500	130
HT92840	57	850	1500	148
75mm				
HT92841	75	1600	3500	190
HT92842	75	1900	3500	220
HT92843	75	1900	3500	225
HT92844	75	2000	3500	410
100mm				
HT92845	100	4000	8000	480
HT92846	100	4000	8000	500
HT92847	100	4000	8000	530
125mm				
HT92848	125	5000	10000	680
HT92849	125	6500	10000	720

OFFSHORE 125MM BLOCKS

OFFSHORE 125MM RANGE



HT92833 HT92836 HT92835 HT92834 HT92837

Part No.	Sheave Size (mm)	Max Line (mm)	SWL (kg)	Break Load (kg)	Weight (g)
HT92833	125	20	4500	8500	1400
HT92836	125	20	4500	8500	1400
HT92835	125	20	4500	8500	1050
HT92834	125	20	4500	8500	1400
HT92837	125	20	4500	8500	2800



MAXI BLOCKS

OFFSHORE 100/125MM

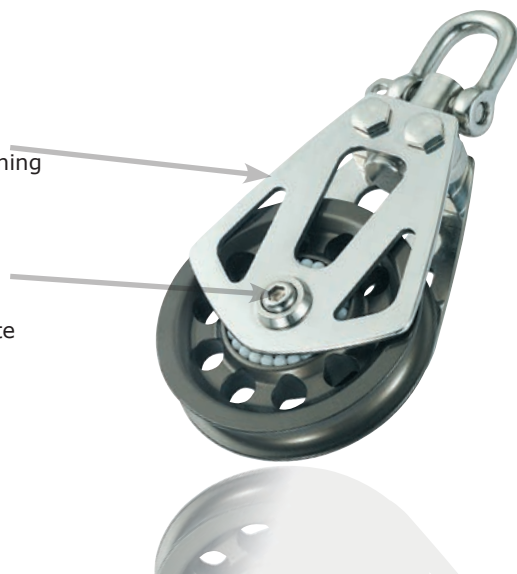
STAINLESS BODY

Highly polished with large lightning holes. Silent elegance.

HIGH LOAD BEARING SYSTEM

With side bearing to accommodate indirect load angles

Sheave: Diameter - 100/125mm
Material: Aluminium
Cheeks: 316 Stainless
Axle: 316 Stainless



MAXI BLOCK RANGE



HT92854



HT92852



HT92850



HT92853



HT92851



HT92859



HT92857



HT92855



HT92858

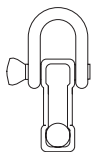


HT92856

Part No.	Sheave Size (mm)	Max Line (mm)	SWL (kg)	Break Load (kg)	Weight (g)
HT92854	100	18	3800	6000	590
HT92852	100	18	3800	6000	600
HT92850	100	18	3800	6000	613
HT92853	100	18	3800	6000	650
HT92851	100	18	3800	6000	655
HT92859	125	20	5000	10000	1609
HT92857	125	20	5000	10000	1490
HT92855	125	20	5000	8000	1911
HT92858	125	20	5000	10000	1720
HT92856	125	20	5000	8000	2145

JOINTS FOR OFFSHORE - MAXI BLOCKS

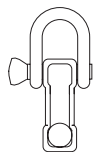
OFFSHORE/MAXI JOINTS



HT91095



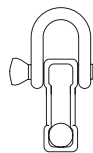
HT91096



HT91097



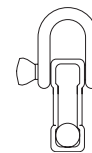
HT91098



HT91091



HT91092



HT91093



HT91094

Part No.	Description	Pin Size (mm)	SWL (kg)	Break Load (kg)	Weight (g)
HT91095	Perpendicular Joint For 100mm Block	16	4800	8000	410
HT91096	Parallel Joint For 100mm Block	16	4800	8000	410
HT91097	Perpendicular Joint For 125mm Block	18	5000	10000	410
HT91098	Parallel Joint For 125mm Block	18	5000	10000	410
HT91091	Perpendicular Joint For 57mm Block	10	1000	2000	106
HT91092	Parallel Joint For 57mm Block	10	1000	2000	106
HT91093	Perpendicular Joint For 75mm Block	12	3200	6300	220
HT91094	Parallel Joint For 75mm Block	12	3200	6300	220

XR CLUTCHES

XTREME RELEASE FUNCTION



CLUTCH CLOSED

Clutch Position closed
Held shut with the stop clip



CLUTCH ENGAGED

Clutch still holding rope with
lever in release position, ready
to give maximum leverage



CLUTCH DISENGAGED

Clutch cam open with rope able
to run free

LINE CONTROLS

XR1 CLUTCH RANGE



HT95081



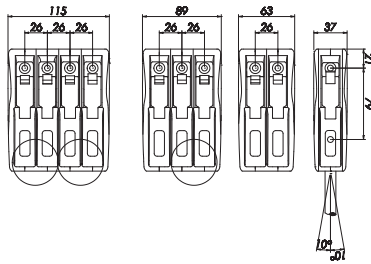
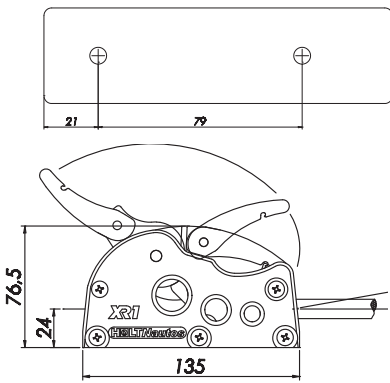
HT95082



HT95084



HT95085



Hole fixing centres match other brands, allowing easy upgrade to the XR Clutches

Part No.	Description	Line Size (mm)	Max SWL (kg)	Hole Centres (mm)
HT95081	Single	6-12	550	79
HT95082	Double	6-12	550	79
HT95084	Triple	6-12	550	79
HT95085	Quad	6-12	550	79

XR2 CLUTCH RANGE



HT95086



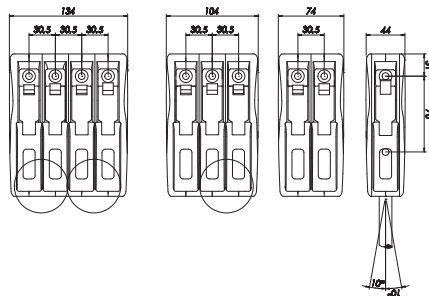
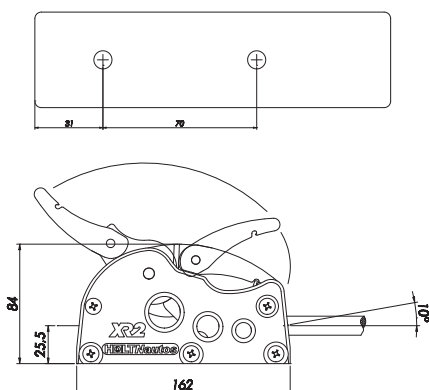
HT95087



HT95088

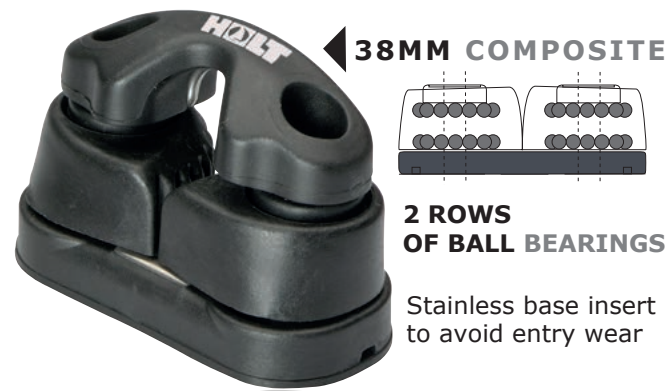


HT95089



Part No.	Description	Line Size (mm)	Max SWL (kg)	Hole Centres (mm)
HT95186	Single	10-16	700	70
HT95187	Double	10-16	700	70
HT95188	Triple	10-16	700	70
HT95189	Quad	10-16	700	70

CAM CLEATS & ACCESSORIES



38MM RANGE



27MM RANGE

27MM COMPOSITE

Advanced metal replacement resin. Greater resistance to heat and UV stable. Lighter and stronger. Improved Jaw profile and vertical pillar design - Stronger and easier to release



Part No.	Line Size (mm)	Hole Centres (mm)	Fixing Size (mm)
HT91025	5 - 10	38	M5
HT91035	5 - 12	38	M5
HT91185	5 - 12	38	M5
HT91077	5 - 12	38	M5
HT91054	5 - 12	38	M5
HT91019	-	38	M5
HT.293	-	38	M5
HT91020	5 - 12	38	M5
HT91026	2 - 7	27	M4
HT91182	2 - 7	27	M4
HT91078	2 - 7	27	M4
HT91233	2 - 7	27	M4
HT91018	-	27	M4
HT91021	2 - 7	27	M4
HT4388	2 - 7	27	M4
HT91013	5 - 10	70	M5
HT4077	4 - 8	40	M5

MAINSHEET & SWIVEL JAMMERS

CLEAT ANGLE
Cleat angle can be altered using a 27mm angled wedge (HT91018)

WIRE CORE STRUCTURE
Wire fairlead continues under cleat giving improved strength

COMPOSITE BODY
Glass Nylon body gives a light-weight rigid structure to give precise cleating without play



NEW
WIRE COMPOSITE SWIVEL

PIN STOP SWIVEL
Rotation can be set using a pin stop giving the option of 360/45/60 or 80 degrees rotation



Mainsheet Jammers



360 DEGREE BASES



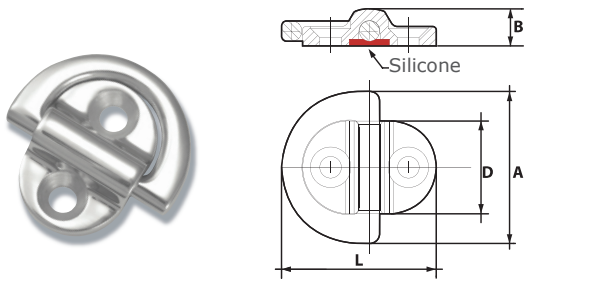
Springs / Swivel Mounts



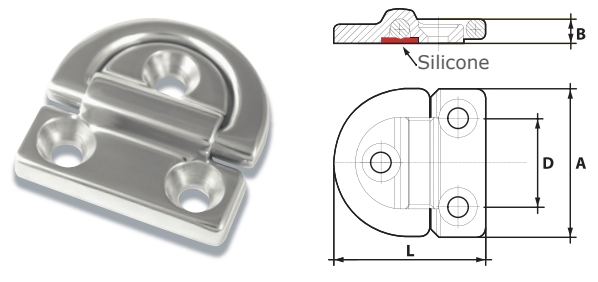
Part No.	Usage	Hole Centres (mm)	Fix Hole Size (mm)	Max Work Load (kg)	Weight (g)
HT4266	Sports Boats, Etchell, Musto Skiff	4 x 20	M5	400	360
HT4266COMP	420, RS Feva, RS200	4 x 20	M5	400	330
HT4366	Etchell, Fireball, Merlin Rocket	4 x 20	M5	300	420
HT5466	Jib Leads, Control Lines, Sheets	3 x 26	M5	160	214
HT5566	Jib Leads, Control Lines, Sheets	3 x 26	M5	235	190
HT5766	Control Lines, Halyards	3 x 26	M5	165	147
HT4867	Jib sheets (4-6mm)	3 x 26	M5	100	92
HT4967	Jib sheets (4-9mm)	3 x 26	M5	130	92
HT1034	-	-	-	-	-
HT4033	-	-	-	-	-
HT4034	-	-	-	-	-
HT4222	Mainsheet Swivel, Sheet Leads	3 x 33	M4	300	28
HT4422	Mainsheet Swivel, Sheet Leads	3 x 33	M4	300	26

FOLDING PAD EYES

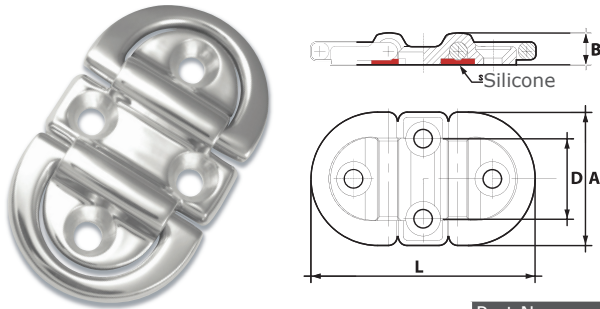
FOLDING PAD EYE RANGE



HT60064545 (6mm)



HT60064546 (6mm)
HT60085961 (8mm)
HT60010757 (10mm)

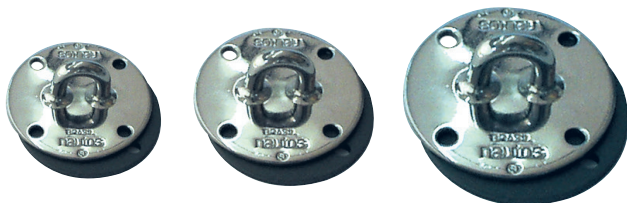


HT60064587 (6mm)
HT60085999 (8mm)
HT60010751 (10mm)

Part No.	Description	A (mm)	B (mm)	D (mm)	L (mm)	Break Load (kg)	SWL (kg)
HT60064545	6mm Single	45	11	27.5	45.75	1600	800
HT60064546	6mm Single	45	11	27	46.5	2700	1350
HT60064587	6mm Double	45	11	27	87	2700	1350
HT60085961	8mm Single	59	14	35	61	4500	2250
HT60085999	8mm Double	59	14	35	99	4500	2250
HT60010757	10mm Single	75	17.5	45	77	9000	4500
HT60010751	10mm Double	75	17.5	45	126	9000	4500

PAD EYES & BLOCK STAND UP BASES

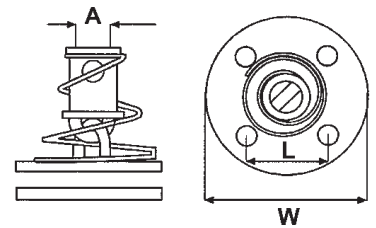
FIXED PAD EYE RANGE



HT91058

HT91059

HT91060



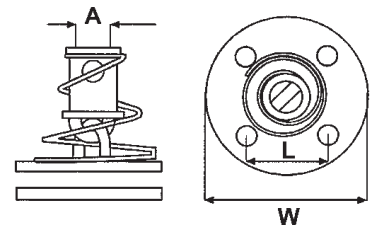
Part No.	Description	L (mm)	H (mm)	W (mm)	Fixing (mm)	Break Load (kg)
HT91058	Stainless Pad Eye & Alloy Underdeck Pad (5mm)	31	14	55	5	1500
HT91059	Stainless Pad Eye & Alloy Underdeck Pad (6.5mm)	37	20	64	6	2800
HT91060	Stainless Pad Eye & Alloy Underdeck Pad (8mm)	45	26	77	8	3800



HT91043

HT91044

HT91045

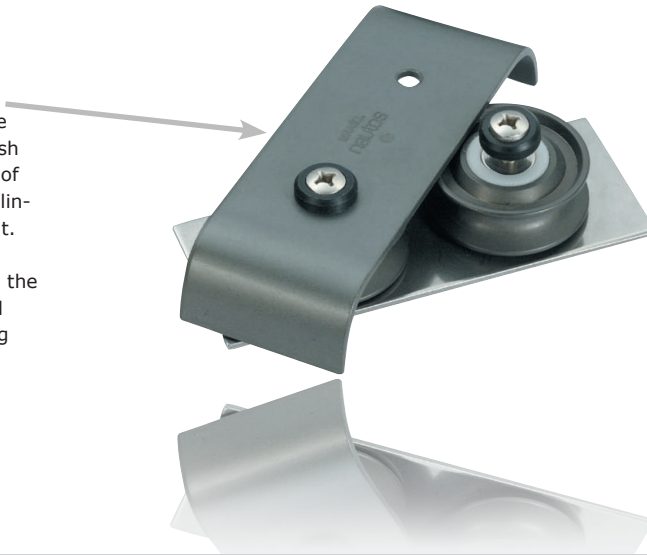


Part No.	Description	A (mm)	L (mm)	H (mm)	W (mm)	Fixing (mm)
HT91043	Stainless Stand Up Base & Alloy Underdeck Pad	10	31	28	55	5
HT91044	Stainless Stand Up Base & Alloy Underdeck Pad	13	37	34	64	6
HT91045	Stainless Stand Up Base & Alloy Underdeck Pad	16	45	38	77	8

DECK ORGANISERS

INDEPENDANT FIXING

Fixing screws are independent to the closing ones. This gives a better finish to the boat's interior, with the head of the screw coming through the head lining, rather than bolt, washer and nut. This construction also aids servicing and makes it possible to personalise the organiser, combining aluminium and composite sheaves without removing the fixing screws.



DECK ORGANISER RANGE



HT91200
HT91201
HT91206
HT91207
HT91212
HT91213

HT91202
HT91203
HT91208
HT91209
HT91214
HT91215

HT91204
HT91205
HT91210
HT91211
HT91216
HT91217

Part No.	Description	Sheave Dia (mm)	Line Dia (mm)	Length (mm)	Distance btwn holes (mm)	Width (mm)	SWL (kg)	Break Load (kg)	Fixing Size
HT91200	36mm Double Nylon Sheave	36	10	106	44	38	150	250	6
HT91201	36mm Double Aluminium Sheave	36	10	106	44	38	150	250	6
HT91206	48mm Double Nylon Sheave	48	12	133	57	51	180	360	6
HT91207	48mm Double Aluminium Sheave	48	12	133	57	51	180	360	6
HT91212	60mm Double Nylon Sheave	60	14	156	66	60	250	430	6
HT91213	60mm Double Aluminium Sheave	60	14	156	66	60	250	430	6
HT91202	36mm Triple Nylon Sheave	36	10	150	44	38	150	250	6
HT91203	36mm Triple Aluminium Sheave	36	10	150	44	38	150	250	6
HT91208	48mm Triple Nylon Sheave	48	12	190	57	51	180	360	6
HT91209	48mm Triple Aluminium Sheave	48	12	190	57	51	180	360	6
HT91214	60mm Triple Nylon Sheave	60	14	224	66	60	250	430	6
HT91215	60mm Triple Aluminium Sheave	60	14	224	66	60	250	430	6
HT91204	36mm Quad Nylon Sheave	36	10	194	44	38	150	250	6
HT91205	36mm Quad Aluminium Sheave	36	10	194	44	38	150	250	6
HT91210	48mm Quad Nylon Sheave	48	12	247	57	51	180	360	6
HT91211	48mm Quad Aluminium Sheave	48	12	247	57	51	180	360	6
HT91216	60mm Quad Nylon Sheave	60	14	292	66	60	250	430	6
HT91217	60mm Quad Aluminium Sheave	60	14	292	66	60	250	430	6

DECK BUSHES

TECHNICAL

Material: Glass filled nylon
Nylon
Inserts: 316 stainless steel



ERGO DESIGN
New ergonomic design reducing accidental line snags. Modern spark finish

STAINLESS INSERTS
Greater wear resistance with 316 inserts flush fitted



DECK BUSHES



HT..39



HT.139



HT.239



HT.339



HT.439



HT.539



HT4039



HT4139



HT4239



HT4339



HT4439



HT4539



Part No.	Inside Dia. (mm)	Fixing Hole Size (mm)	Fixing Spacing (mm)	Weight (g)
HT..39	9	19	3	28
HT.139	20	33	3	44
HT.239	12	22	3	31
HT.339	15	25	3	36
HT.439	8	13	-	-
HT.539	13	16	-	-
HT4039	6	19	3	28
HT4139	20	33	3	44
HT4239	11	22	3	31
HT4339	13	25	3	36
HT4439	6	13	-	-
HT4539	13	16	-	-

DECK FAIRLEADS

TECHNICAL

Material: Glass filled nylon
 Nylon
 Aluminium
 Inserts: 316 stainless steel

LINE CONTROLS



ERGO DESIGN
 New ergonomic design reducing accidental line snags. Modern spark finish

FIXING BORES
 Allows flush mounting of fasteners with large counter sinks taking a wider variety of fastening

STAINLESS INSERTS
 Greater wear resistance with 316 inserts flush fitted



FAIRLEADS



HT..52



HT.152



HT.252



HT.452



HT.182



HT.282



HT4052



HT4152



HT4252



HT4452

Aluminium
 Hard anodised



HT4282



HT.282ALU



HT91070



Part No.	Inside Dia. (mm)	Fixing Hole Size (mm)	Fixing Spacing (mm)	Weight (g)
HT..52	7	3	15	3
HT.152	14	4	25	8
HT.252	19	5	34	28
HT.452	11	3	18	4
HT.182	7	4	23	4
HT.282	9	4	23	6
HT4052	6	3	15	4
HT4152	13	4	25	12
HT4252	21	5	34	32
HT4452	10	3	18	6
HT4182	5	4	23	5
HT4282	6	4	23	8
HT.282ALU	6	4	23	12
HT91070	20	5	30	16

HATCH COVERS



IMPROVED DESIGN HATCH COVER

ERGO PROFILED HANDLE
New ergonomic design reducing accidental foot catch release

SEALED THREADS
With the internal hatch lip seal the inner rim (and fixing holes) are sealed giving water tight security without the use of extra sealant.



HATCH RANGE



HT.337
HT.337W



HT.537
HT.537W

HT338 Seal ring for HT.337
HT.538 Seal ring for HT.338



HT.337 -BAG
HT.337W -BAG
HT.537-BAG
HT.537W -BAG
Hatch cover complete with storage bag



HA-BAG-KIT
Hatch bag kit to fit to existing Holt hatch covers



Part No.		Fixing Hole Size (mm)	Cut Out Size (mm)	Opening Size (mm)	'O' Ring Required	Weight (g)
HT.337	Small black hatch cover	3	110	100	HT338	62
HT.337W	Small white hatch cover	3	110	100	HT338	62
HT.537	Med. black hatch cover	3	157	145	HT538	111
HT.537W	Med. white hatch cover	3	157	145	HT538	111
HT.338	Rubber sealing ring for HT 337/337W	-	-	-	-	-
HT.538	Rubber sealing ring for HT 537/537W	-	-	-	-	-
HT.337-BAG	Small black cover and rim with hatch bag	-	-	-	-	-
HT.337W-BAG	Small white cover and rim with hatch bag	-	-	-	-	-
HT.537-BAG	Med. black cover and rim with hatch bag	-	-	-	-	-
HT.537W-BAG	Med. white cover and rim with hatch bag	-	-	-	-	-
HA-BAG-KIT	Bag only with fixing screw	-	-	-	-	-

BUNGS

BUNG RANGE



HPN242



HPN243



HPN245



HPN246

Part No.	Description	Fixing Hole Size (mm)	Cut Out Size (mm)	Weight (g)
HPN242-BLACK	drain bung, 25mm - black	4	25	12
HPN242-WHITE	drain bung, 25mm - white	4	25	12
HPN243-WHITE	drain bung, 30mm - white	4	30	16
HPN243-BLACK	drain bung, 30mm - black	4	30	16
HPN245-WHITE	drain bung, 40mm - white	4	40	26
HPN245-BLACK	drain bung, 40mm - black	4	40	26
HPN246-WHITE	drain bung, 50mm - white	5	50	35
HPN246-BLACK	drain bung, 50mm - black	5	50	35

HT423?
HT323?

BUOYANCY BAGS

BUOYANCY BAG RANGE



SB2101



SB2102



SB2103



SB2104



SB2111



SB2112



SB2202



SB2302



SB2402



SB2502



SB2602



SB2702



SB2802



SB2902 Optimist Class Racing Buoyancy Bag
Hard Wearing woven Nylon with extended inflation valve



SB2903 Optimist Class Buoyancy Bag
PVC backed nylon.

HA2002?

HA2003?

HULL FITTINGS

Part No.	Description	Size (cm)	Size (inches)	Buoyancy (kg)	Weight (g)
SB2101	Shaped Bow Bag - PVC	83 x 91.5 x 35.5	33 x 36 x 14	158.7	673
SB2102	Pillow Bag - PVC	116.7 x 25.4	46 x 10	50.8	380
SB2103	Shaped Stern Bag - PVC	91.5 x 76 x 53.3 x 30.5	36 x 30 x 21 x 12	124.7	765
SB2104	Pillow Bag - PVC	152 x 25	60 x 10	72.0	486
SB2111	Shaped Baby - PVC	40 x 40.6 x 40.6	16 x 16 x 16	42.5	255
SB2112	Pillow Bag - PVC	140 x 45.6	55 x 14	80.0	730
SB2202	Pillow Bag - PVC	55.8 x 22.8	22 x 9	18.1	181
SB2302	Pillow Bag - PVC	91.5 x 30.5	36 x 12	45.0	396
SB2402	Pillow Bag - PVC	99 x 23	39 x 9	34.0	325
SB2502	Pillow Bag - PVC	76 x 15	30 x 6	11.3	163
SB2602	Pillow Bag - PVC	101.5 x 15	40 x 6	15.8	189
SB2702	Pillow Bag - PVC	45.7 x 15	18 x 6	6.8	91
SB2802	Pillow Bag - PVC	99 x 42	39 x 16	44.0	375
SB2902	Optimist Race Bag IOD- long nozzle (Red)	92 x 29	39 x 16	48	223
SB2903	Optimist Standard Bag IOD- (White)	92 x 29	39 x 16	48	223

STAY ADJUSTERS

STAIN-LESS FORMED

316 Stainless formed with vernier adjustment for precise rig control

CLEVIS PINS

All stay adjusters come complete with two clevis pins



FAST-PINS

Allows fast adjustment of shroud height.



STAY ADJUSTER RANGE



HT4172



HT4272



HT4372



HT4472



HT4772HT



HT4972



HT5005

HT5006

Part No.	Pin Dia. (mm)	Adjustment Range (mm)	Increments (mm)	Internal Width (mm)	Weight (g)
HT4172	5	52	9	8	46
HT4272	5	64	3	9	41
HT4372	5	60	9	8	23
HT4472	5	69	9	8	39
HT4772HT	6	80	5	10	64
HT4972	5	64	4	8	38
Part No.	Dia. (mm)	Useable Length (mm)	Overall Length (mm)	Suitable For	Weight (g)
HT5005	5	12.5	26.5	HA4272	6.3
HT5006	6	15	29	HA4772HT	8.4

U-BOLTS & ANCHOR PLATES

U-BOLTS & ANCHOR PLATES



HT4371



HT4471



HT4671



HT4871X



HT4001E



HT4025
HT4025S



HT4107S
HT4107



HT4124



HT4171



HT4225

Part No.	Rod size (mm)	Dist. Betwn. Fix. Ctre. (mm)	Min. Height (mm)	Weight (g)	Overall Length (mm)	Thread Length (mm)
HT4371	5	28	10	24	42	20
HT4471	6	38	14	54	58	25
HT4671	6	38	26	53		
HT4871X	6	28	7	62	48	25
Part No.	Length (mm)	Width (mm)	Thickness (mm)	Hole Ctrs. (mm)	Slot/tenon (mm)	Weight (g)
HT4001E	-	17	1.7	-	-	79
HT4025	194	16	2	57	-	37
HT4025S	194	16	2 - 4	57	-	50
HT4107	138	22	2	114	-	45
HT4107S	112	22	2	89	-	37
HT4124	150	23	2	129	19	94
HT4171	64	16	2	47	16 x 2	12
HT4225	94	87	1.7	-	-	103

ANCHOR PLATES

ANCHOR PLATES



Part No.	Inside Dia. (mm)	Fix Hole Size (mm)	Dist Between Fixings (mm)	Weight (g)
HT4003	9	M5	27 x 16	24
HT4003H	5	M5	27 x 16	24
HT4003M	5	M5	27 x 16	24

EYE STRAPS

EYE STRAPS RANGE

316 Stainless



+PT401L

316 Stainless



Part No.	Bore (mm)	Fixing Hole Size (mm)	Hole Centres (mm)	Weight (g)
HT5014	-	4	27	3.2
HT5014F	8	4	27	3.6
HT5015	-	5	33	6.4
HT5015F	10	5	33	8.2
HT5016	-	6	40	12
HT5016F	14	6	40	15
HT4288	8	3	22	1
HT4388	8	4	27	1.5
HT4073	12	5	34	4
HT4035	-	5	-	5
HT4035-6MM	-	6	-	4.7
HPN048-BLACK	5.3	4	32	1
HPN049-BLACK	10	4	39	1.2
HPN049-WHITE	10	4	39	1.2
HPN050-BLACK	25 - flat	4	39	1
HPN69A-BLACK	-	-	38	-
HPN69-BLACK	-	-	50	-
HPN69-WHITE	-	-	50	-
HPN093-WHITE	6	5	-	1
HPN118	4	5	-	1.3
HPN119-BLACK	4	5	-	1.3

HULL FITTINGS

HPN048

HPN049

HPN050

HPN069-WHITE

Lacing Button

HPN093

HPN118 - 2 Way Lacing Button
HPN119 - 4 Way Lacing Button (shown)

Nylon lacing eyes for weight reduction in less load critical areas

TRANSOM FITTINGS & MAST STEP

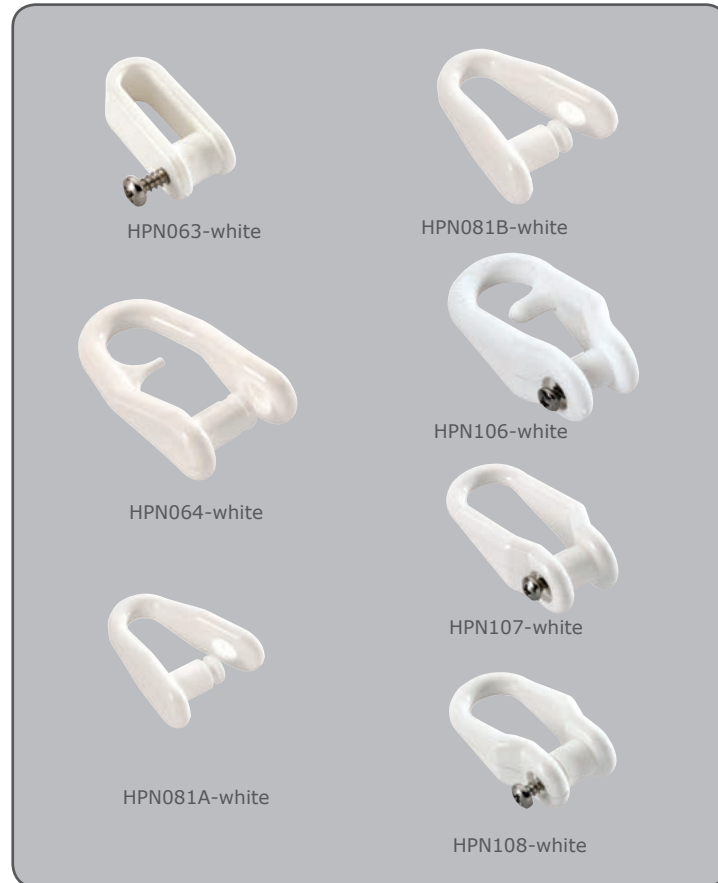
TRANSOM FITTINGS / MAST STEP



Part No.	Description	Fixing Hole Size (mm)	Overall Width (mm)	Weight (g)
HT4019	Transom pintle 7.8mm pin	4	80	67
HT4317	Transom pintle 7.8mm pin	4	32	40
HT4020	Transom gudgeon 8mm hole	5	70	22
HT4022	Transom gudgeon 8mm hole (3 hole fix)	5	70	41
HT91120	Nylon transom gudgeon	5	131	42
HPN055	Acetal retaining clip	4	53	2.5
HT4121	Stainless steel retaining clip	5	78	9
HT91152	Optimist adjustable mast step	6	120	260

SAIL SHACKLES

SAIL SHACKLES



Part No.	Description	Length (mm)
HPN063-WHITE	screw on shackle, small - white	31
HPN064-WHITE	snap on shackle, large - white	47
HPN065-WHITE	snap on shackle, large - white	47
HPN081A-WHITE	snap on shackle, small - white	33
HPN081B-WHITE	snap on shackle, medium - white	35
HPN106-WHITE	screw on shackle, large - white	47
HPN107-WHITE	screw on shackle, long - white	40
HPN108-WHITE	screw on shackle, large - white	46

SAIL HANKS



Part No.	Description	Max Luff Wire (mm)
HPN088A	piston hank	6
HPN014	sail hank nylon	3.5
HPN014A	sail hank nylon w scr	5
HT.886	Sail snap block - max line 4mm	-

HEAD BOARDS

HEAD BOARD RANGE



Part No.	Description
HPN247-WHITE	75mm x 100mm headboard
HPN248-WHITE	100mm x 115mm headboard

SAIL SLIDES

SAIL SLIDE RANGE



Part No.	Description
HPN014A-BLACK	sail hank medium - black
HPN014A-WHITE	sail hank medium - white
HPN014-WHITE	sail hank small - white
HPN014-BLACK	sail hank black - white
HPN016-WHITE	sister clip large (flag clip) - white
HPN016B-WHITE	sister clip small - white
HPN016A-WHITE	sister clip medium - white
HPN017-WHITE	sail slug, 12mm - white
HPN018-WHITE	sail slug, 10mm - white
HPN027-WHITE	sail slide, 16mm - white
HPN028-WHITE	sail slide, 22mm - white
HPN028A-WHITE	sail slide, 19mm - white
HPN029-WHITE	sail slug 8mm - s/s - white
HPN047-WHITE	sail slide, 22m external white
HPN065	sail slug, 10mm
HPN088A-WHITE	piston hankl - white
HPN102-WHITE	sail slug / wire bale, 9mm - white
HPN103-WHITE	sail slug / wire bale, 11mm - white
HPN104-WHITE	sail slug, wire bale, 12mm - white
HPN149-BLACK	sail slide with wheels, 22mm - black
HPN150-BLACK	sail slug with wheels, 11mm - black
HPN177-WHITE	leech line cleat, 1-2mm white (not shown)
HPN178-WHITE	leech line cleat, 2-4mm white (not shown)
HPN203-BLACK	sail slide/ s.s. insert - black
HPN204-BLACK	sail slug / s.s. insert - black
HPN209-BLACK	rotating sail chaff guard - white
HPN209-WHITE	rotating sail chaff guard - white
HPN272-WHITE	sail slide selden, 11mm - white
HPN273-WHITE	sail slide selden, 14mm - white
HPN273-BLACK	sail slide selden, 14mm - black
HPN274-WHITE	sail slide selden, 15mm x 40mm - white
HPN275-WHITE	sail slide selden, 19mm - white
HPN280A-BLACK	sail slide, 22mm - black
HPN280-BLACK	sail slide, 2mm - black
HPN280-SILVER	sail slide, 2mm
HPN281A-BLACK	sail slug slide, 22mm - black
HPN290-GREY	sail slug, lubricated 7.5mm
HPN291-GREY	sail slug, lubricated 7.2mm
HPN292-GREY	sail slug, lubricated 11.5mm
HPN293-GREY	sail slide, lubricated 16mm
HPN294-GREY	sail slide, lubricated 19mm
HPN295-GREY	sail slide, lubricated 22mm
HPN296-GREY	sail slide, lubricated, selden
HPN297-WHITE	sail slug, 7.5mm - white
HPN298-WHITE	sail slug, 9mm - white
HPN299-WHITE	sail slug, 11.5mm - white
HPN304	lubricated slide, selden 19mm x 50mm
HPN490A-GREY	sail slide, lubricated
HPN491A-GREY	sail slide, lubricated
HPN492A-GREY	sail slide, lubricated
HPN493A-GREY	sail slide, lubricated, 16mm
HPN494A-GREY	sail slide, lubricated, 19mm
HPN495A-GREY	sail slide, lubricated, 22mm
HPN496A-GREY	sail slide, selden type

+HPN591A



HPN297-white HPN298-white

BATTEN FITTINGS

BATTEN FITTING RANGE



HPN087



HPN105



HPN143



HPN145



HPN146



HPN155



HPN162



HPN170



HPN276



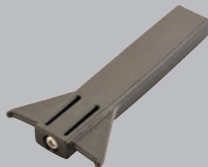
HPN278



HPN279



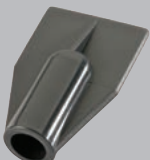
HPN286
HPN287
HPN288



HPN289



HPN306
HPN307



HPN369
HPN370
HPN371
HPN372
HPN373

Part No.	Description
HPN083-WHITE	batten pocket protector
HPN087-WHITE	batten pocket protector 20mm
HPN105-WHITE	batten pocket protector 30mm
HPN143-GREY	batten pocket protector, 40mm
HPN145-WHITE	batten pocket protector, 40mm
HPN146-WHITE	batten pocket end, 40mm
HPN148-BLACK	batten pocket protector
HPN155-BLACK	adjustable batten end, 25mm
HPN162-BLACK	adjustable batten end, 25mm - 10mm thread
HPN162-WHITE	adjustable batten end, 25mm - 10mm thread
HPN163-BLACK	batten pocket end, takes 10mm
HPN170-GREY	batten pocket end, 30mm
HPN276-BLACK	adjustable batten end, 30mm - 10 mm thread
HPN277-BLACK	non-adjustable batten end 30mm
HPN278-SILVER	threaded arm link to suit, lubricated slide range
HPN279-SILVER	threaded arm link to suit,HPN280A & HPN281A
HPN286-BLACK	leech batten adjuster 10mm
HPN287-BLACK	leech batten adjuster 15.5mm
HPN288-BLACK	leech batten adjuster 16mm
HPN289-BLACK	leech batten adjuster 19mm
HPN306	Batten pocket end takes 8-10mm rod accepts 10mm thread
HPN307	Batten pocket end takes 10-14mm rod accepts 10mm thread - internal 10mm nut for added strength
HPN343-GREY	Batten end, 40mm - grey
HPN369-GREY	rod batten tip - 6mm
HPN370-GREY	rod batten tip - 8mm
HPN371-GREY	rod batten tip - 10mm
HPN372-GREY	rod batten tip - 12mm
HPN373-GREY	rod batten tip - 14mm



RECIRCULATING 14/22MM MAINSAIL CARS



ERGO DESIGN
Low profile aluminium traveller cars are CNC'd from solid marine grade aluminium and hard anodised.

See page 34 for track lengths

14MM RECIRCULATING CARS



22MM RECIRCULATING CARS



Part No.	Description	Weight (g)	Track Width (mm)	SWL (kg)	Break Load (kg)	Line Dia (mm)
HT4414	14MM Tie on car	65	14	200	400	2.5-4
HT4415	14MM Mainsheet car	165	14	200	400	3.5-6
HT4416	14MM Catamaran car	145	14	200	400	3.5-6
HT91642	High load 80mm car w / pivoting shackle and ears	192	22	350	600	-
HT91644	80mm car w / stand-up base and ears	110	22	350	600	-
HT91672	Control 3:1 vertical lead	110	22	150	300	8
HT91048	Add to HT91682 or HT91696 for 5:1 purchase	80	-	200	400	-
HT91645	120mm car w / stand-up ears	150	22	560	1100	-
HT91647 PORT	Track end control 4:1 with cleat - Port	460	22	220	450	10
HT91648 STBD	Track end control 4:1 with cleat - Stbd	460	22	220	450	10
HT91643	120mm car w / pivoting shackle and ears	259	22	560	1100	-
HT91695	Track end control 4:1 / 5:1	280	22	150	300	8
HT91506	Coupler for two 80mm cars (HT91644)	80	-	600	1000	-

RECIRCULATING 32MM MAINSAIL CARS



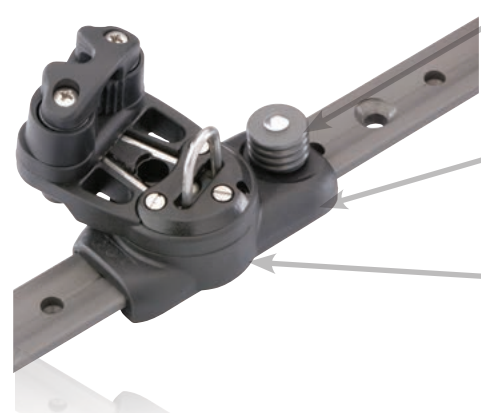
32MM RECIRCULATING CARS



See page 34 for track lengths

Part No.	Description	Weight (g)	Track Width (mm)	SWL (kg)	Break Load (kg)	Line Dia (mm)
HT91653	190mm car w / two stand-up base accepts HT91682 & HT91696	1100	32	2300	5000	-
HT91651	110mm car with stand-up base accepts HT91682 & HT91696	628	32	1350	3000	-
HT95659	Track end control 4:1 / 5:1 w / cleat - port	680	32	600	1200	10
HT91697	Track end control 4:1 / 5:1	480	32	600	1200	10
HT91652	120mm car with stand-up base accepts HT91682 & HT91696	872	32	1900	4000	-
HT95658	Track end control 4:1 / 5:1 w / cleat - Stbd	680	32	600	1200	10
HT91561	Coupler for two 110mm cars	280	32	3000	6000	-
HT91048	Add to HT91682 or HT91696 for 5:1 purchase	80	-	200	400	-
HT91640	80mm car w / pivoting shackle	172	32	230	500	-
HT91665	95mm car w / pivoting shackle and eyes	455	32	800	1600	-
HT91668	190mm car w / pivoting shackle - accepts HT91682 & HT91696	1010	32	2300	5000	-
HT91666	110mm car w / pivoting shackle - accepts HT91682 & HT91696	600	32	1350	3000	-
HT91682	On the car side sheave 4:1 / 5:1	230	32	600	1200	10
HT91667	130mm car w / pivoting shackle - accepts HT91682 & HT91696	710	32	1900	4000	-
HT91696	On the car stacked sheave 4:1 - 5:1	218	32	600	1200	10

SLIDING CARS



PIN STOP
Large pinstop minimises play, maximising cleating stability.

FULL MOULDED CAR
Advanced single piece moulded car, integral rails eliminates excessive play.

OPTIMUM FOOTPRINT
Extended footprint gives minimal clearance creating a rigid platform for the width of track



25MM SLIDING TRACK & CARS

NEW Composite Car



HT3274

NEW Composite Car



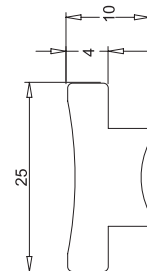
HT4274RS

See page 33 for track lengths



HT91402 HT91404 HT91409 HT91401 HT91407 HT91403 HT91408

Part No.	Description	Weight (g)	Track Width (mm)	SWL (kg)	Break Load (kg)	Line Dia (mm)	Fixing Size (mm)
HT3274	Composite Swvel car pin stop	78	25	100	200	4-6	-
HT4274RS	Composite car with fairlead, track and cleat (Pair)	340	25	200	400	5-10	M5
HT91402	Stop button 25mm track	30	25	-	-	-	-
HT91404	Slider w / spinnaker ring and stop 25mm track	192	25	650	1300	-	75
HT91409	Double roller beared genoa lead 25mm track	350	25	650	1300	-	30
HT91401	Slider w / eye 25mm track	103	25	650	1300	-	-
HT91407	Slider w / spinnaker ring and ears 25mm track	197	25	650	1300	-	75
HT91403	Slider w / eye and stop 25mm	123	25	650	1300	-	-
HT91408	Slider double genoa lead 25mm	320	25	650	1300	2x16	30

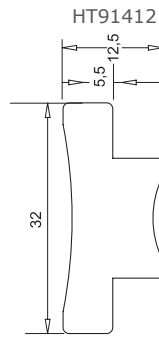


32MM SLIDING TRACK & CARS



HT91412 HT91417 HT91413 HT91418 HT91414 HT91419

Part No.	Description	Weight (g)	Track Width (mm)	SWL (kg)	Break Load (kg)	Line Dia (mm)	Fixing Size (mm)
HT91412	Stop button 32mm track	48	32	-	-	-	-
HT91417	Slider w / spinnaker ring and ears 32mm track	343	32	950	1800	2x17	85
HT91413	Slider w / eye and stop 32mm	200	32	950	1800	-	-
HT91418	Genoa lead w / alloy sheave 32mm	597	32	950	1800	2x20	50
HT91414	Slider w / spinnaker ring and stop 32mm track	217	32	950	1800	-	85
HT91419	Double genoa lead rollerbeared sheave 32mm track	500	32	950	1800	2x21	50
HT91485	Large tri-roller genoa car 32mm track	900	32	2200	4000	10-20	-



RECIRCULATING GENOA CARS



TRI-ROLLER CAR
Aluminium cast body with moulded sliders that fits this sliding car to recirculating track. Also suitable to retro fit on other manufacturers tracks.

RECIRCULATING & TRI ROLLER GENOA CARS

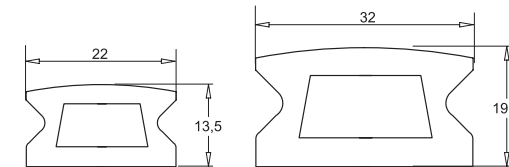


HT91443 HT91662 HT91660 HT91661 HT91480 HT91485

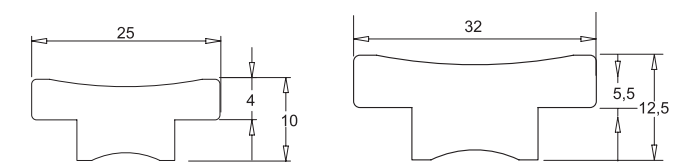
Part No.	Description	Weight (g)	Track Width (mm)	SWL (kg)	Break Load (kg)	Line Dia (mm)	Fixing Size (mm)
HT91443	Ball Raced genoa car	310	22	600	1200	2 x 16	30
HT91662	Ball Raced with 60mm sheave	2000	32	2300	4600	2 x 20	55
HT91660	Ball Raced with 75mm sheave	850	32	1000	2000	2 x 16	35
HT91661	Ball Raced with stopping nut	1200	32	1900	3800	2 x 16	40
HT91480	Small tri-roller genoa car	450	22	1600	3100	8-14	-
HT91485	Large tri-roller genoa car	900	32	2200	4000	10-20	-

TRACK SECTIONS

RECIRCULATING TRACK



SLIDING TRACK



	Length mm of Track	750	900	1000	1500	2000	2500	3000
	End Stop	Part no.	Part no.	Part no.	Part no.	Part no.	Part no.	Part no.
25mm Sliding	HT91406	HT91704	-	HT91705	HT91706	HT91707	HT91708	HT91709
32mm Sliding	HT91416	HT91710	HT91711	HT91712	HT91713	HT91714	HT91715	HT91731
14mm Recirculating	HT.916	-	-	HT.816-1	-	-	HT816-2.5	-
22mm Recirculating	HT91431	HT91716	-	HT91717	HT91718	HT91719	HT91720	HT91721
32mm Recirculating	HT91451	HT91722	HT91723	HT91724	HT91725	HT91726	HT91727	HT91733

TRACK ENDS

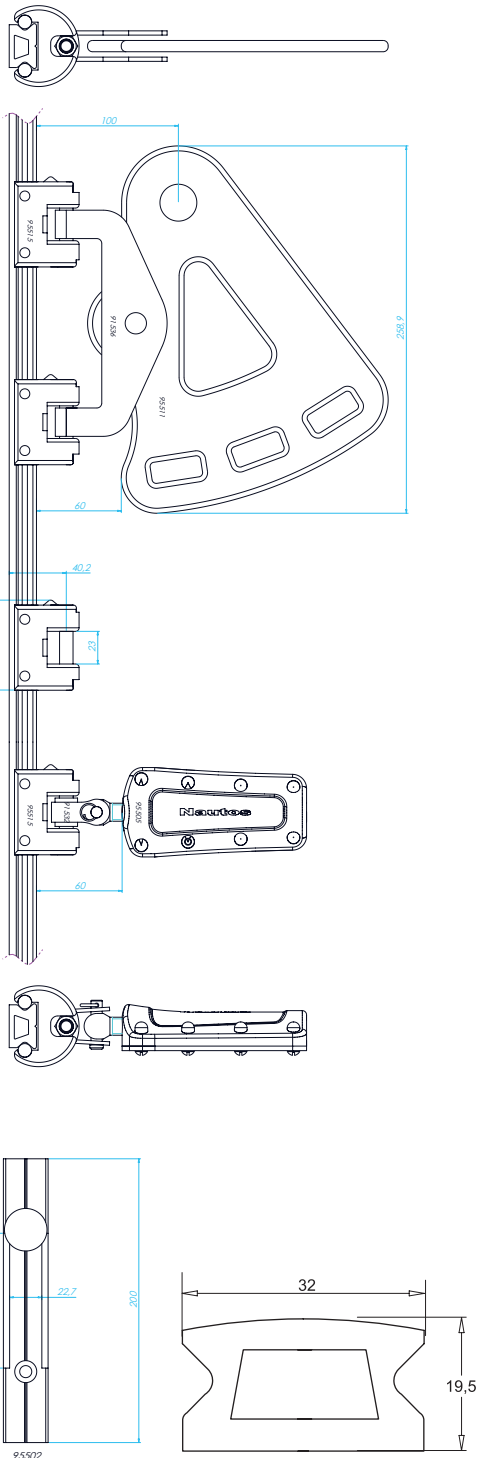


HT91405 HT91415 HT91406 HT91416 HT.916 HT91431 HT91451

Part No.	Description
HT91405	Nylon insert 6.5 to 5mm
HT91415	Nylon insert 8 to 6.5 mm
HT91406	End stop - 25mm sliding track
HT91416	End stop - 32mm sliding track
HT.916	End stop - 14mm recirculating
HT91431	End stop - 22mm recirculating track
HT91451	End stop - 32mm recirculating track

BATTEN CAR SYSTEM - BIG

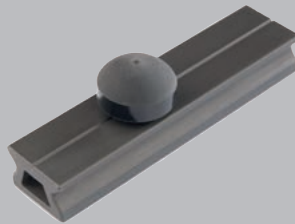
BIG BATTEN CAR SYSTEMS



SINGLE HANDED OPERATION

The recirculating cars allow easy single handed loading of the sail luff tabs. The spring loaded retainer is depressed allowing the release of the pin (without letting it fall out).

Track Gate



Sliding cars use the same recirculating track as ball bearing cars for the big and small versions. Sliding cars are easily removed from the track using a track gate.

Part No.	Description
HT95536	Small Track Gate for Ball Bearing Cars
HT95501	Small Track Gate for Sliding Cars
HT95538	Big Track Gate for Ball Bearing Cars
HT95502	Big Track Gate for Sliding Cars

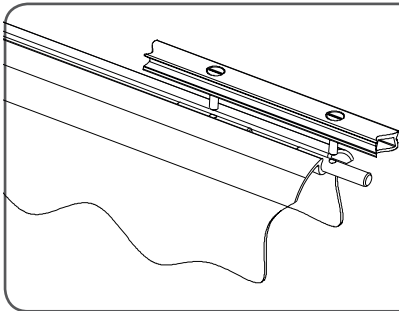


Sliding Car

Track lengths & end stops - Page 33

Part No.	Description	Composition	SWL (kg)	Break Load (kg)	Weight (g)	Length (mm)	Width (mm)
HT91532	Big 10 mm Stud		500	1000	100	90	30
HT91541	Big Ball Beared Car		400	700	298	92	87
HT91558	Big High Load ball beared Car		600	1200	298	92	87
HT95505	Big Batten Receptacle		500	1000	182	130	63
HT95511	Big Headboards		1400	2400	600	260	212
HT95512	Big Multihull Headboards		1400	2400	728	260	266
HT91561	Big two Cars Coupler		1000	2000	356	158	22
HT95525	Big High Load Car with Stud 10 mm	91512 + 91502	500	1000	155	65	57
HT95530	Big High Load Car with Coupler	01- 91536 + 02 - 91558	1000	2000	950	240	87
HT95532	Big Sliding Car with Stud 10 mm	95515 + 91532	600	1200	320	60	57
HT95534	Big Sliding Car with Coupler	01 - 91536 + 02 - 95515	1000	2000	798	210	57
HT95527	Big High Load Car with Stud 10 mm	91558 + 91532	600	1200	398	92	87

BATTEN CAR TRACK SLUGS



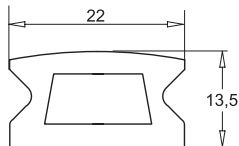
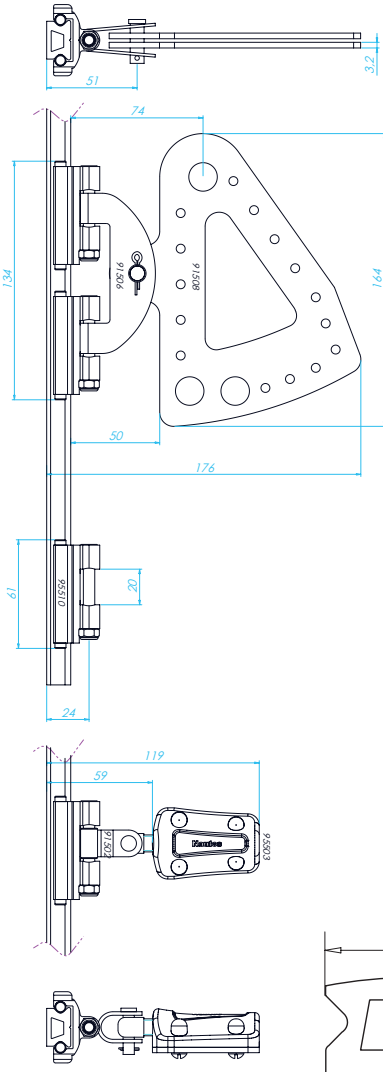
TRACK SLUG

Track is able to be attached to existing mast luff groove using a range of track slugs. Made from aluminium and tapped for easy retro fit attachment.

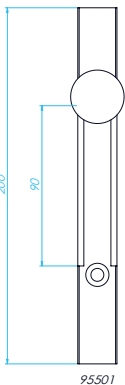
Part No.	Slug Size
HT91550	Ø 8mm X Thread 3/16"
HT91551	Ø 10mm X Thread 1/4"
HT91552	Ø 10mm X Thread M6
HT91553	Ø 11mm X Thread 1/4"
HT91554	Ø 11mm X Thread M6
HT91555	Ø 11mm X Thread M5

BATTEN CAR SYSTEM - SMALL

BIG BATTEN CAR SYSTEMS

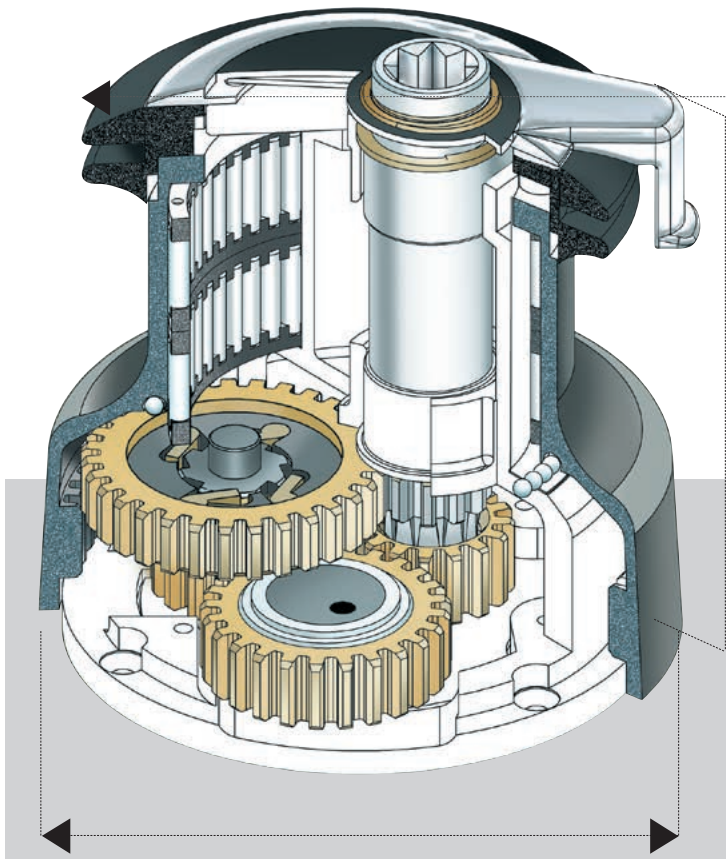


Track lengths & end stops - Page 33



Part No.	Description	Composition	SWL (kg)	Break Load (kg)	Weight (g)	Length (mm)	Width (mm)
HT91511	Intermediate Cars (Use Delrin ball bearings)	-	240	400	48	67	30
HT91512	Small High Load ball bearing Car	-	360	650	70	90	44
HT95510	Small Sliding Car	-	600	1200	100	165	141
HT95503	Small Batten Protector Pocket	-	120	240	120	65	57
HT91502	Small and Medium 10 mm Stud	-	180	360	120	65	57
HT91506	Small two Car Coupler	-	180	360	58	60	40
HT91508	Small Headboards (2 units)	-	120	240	50	55	40
HT95525	Small High Load Car with Stud 10mm	91512 + 91502	180	360	155	65	87
HT95528	Small High Load Car with Coupler	01- 91506 + 02 - 91512	360	600	310	150	57
HT95531	Small Sliding Car with Stud 10 mm	95510 + 91502	120	240	98	55	40
HT95533	Small Sliding Car with Coupler	01- 91506 + 02- 95510	240	450	170	120	40

WINCHES



A larger diameter in the drum means more traction on the rope and more efficiency in self-tailing. Larger internal body diameter allows the use of aluminium and thinner walls resulting in a much lighter part.

Low profile and less weight, reaching 20% less in the #44. All winches bigger than the #44 present a roller bearing around the base resulting in a much more stable body, independent from the origin of the load. All shafts use roller bearings or highly-resistant auto-lubricated synthetic bushing. Self tailing and self-adjusting for a variety of rope diameters.

Off-centre axle means more space for gears with the same base diameter the winch delivers greater mechanical advantage. This is a plus in high-load action and even allows the use of a shorter handle in lighter winds. First gear 15-25% higher allows a longer period of 'pumping' before using the second gear.

WINCH RANGE



HT94066



HT94054



HT94048



HT94044



HT94040



HT94032



HT94016



HT94008

Part no.	Fixing Size	Drum Dia. (mm)	Gearing	Ratio 1	Ratio 2	Ratio 3	Weight (g)	Drum Base Dia. (mm)	Bearing Dia. (mm)	Fixing Size (mm)	Line Dia. (mm)	Overall Height (mm)	Base Height (mm)
HT94066	8	220	45:1	9:1	29:1	69:1	15,000	268	245	8x8	10-16	260	120
HT94054	8	158	22:1	22:1	57.8:1	-	11,200	215	190	6x8	10-14	210	90
HT94048	8	115		13:9	49		6,620	188		80	8-12	182	82
HT94044	8	114	12:1	16.7:7	45.8:1	-	5,350	168	146	6x8	8-12	172	82
HT94040	8	95		15:2	42		3,650	146		62.5	8-12	151	70
HT94032	8	94	8:1	17.8:1	36.9:1	-	3,600	140	112	6x6	8-12	145	67
HT94016	8	94	4:1	17.8:1	-	-	3,100	140	112	5x6	6-10	130	53
HT94008	8	67.5	1:1	8:1	-	-	-	105	64	3x6	6-10	105	37